

BOSSHYDRAULICS.COM.AU

BOSS

HYDRAULICS

HYDRAULIC CYLINDERS AG SERIES



| 1.5 INCH | 2 INCH | 2.5 INCH | 3 INCH | 3.5 INCH | 4 INCH |

AG SERIES Hydraulic Cylinder

FEATURES & BENEFITS

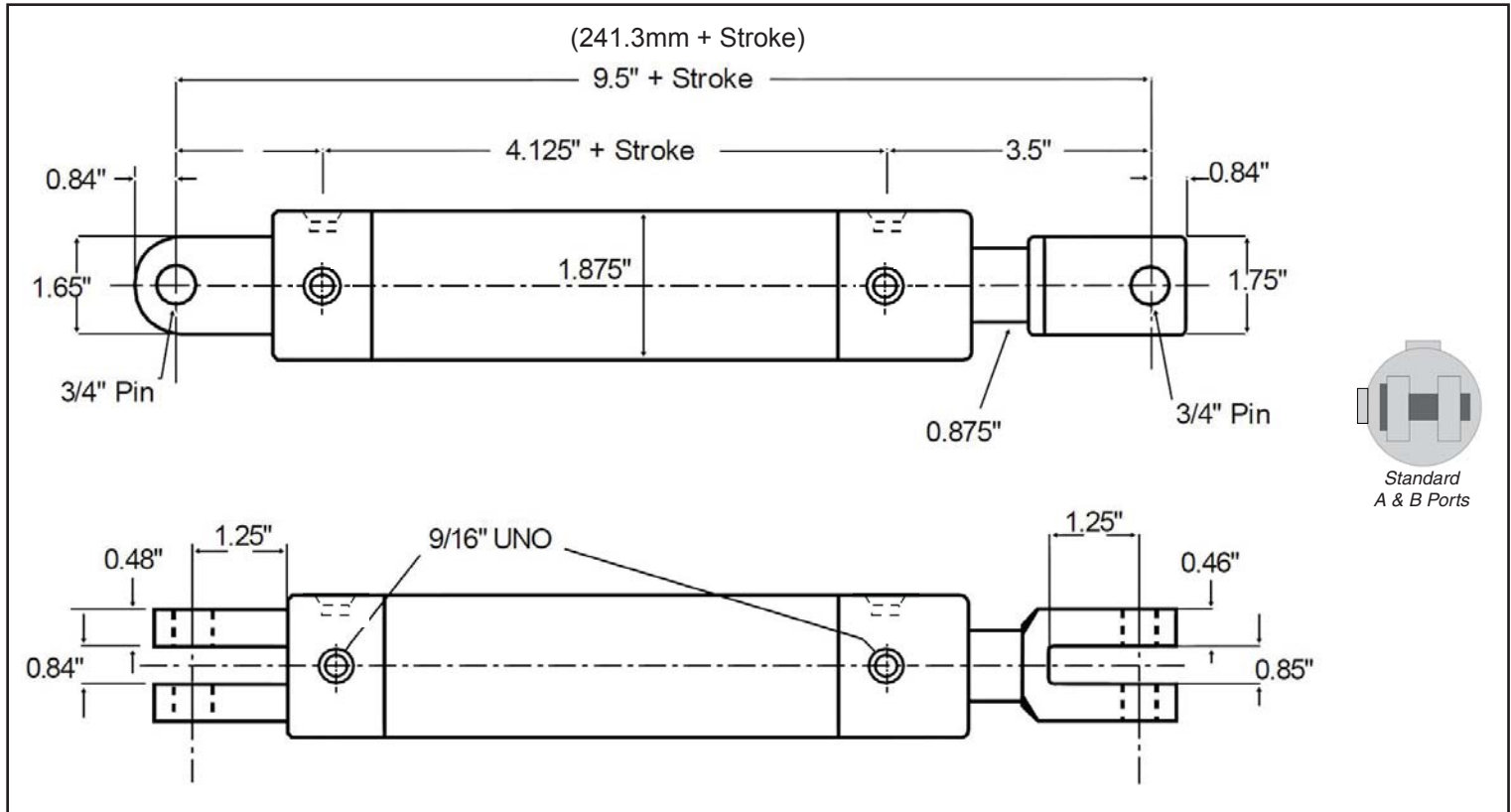
1. *Dual Ported UN-Oring threads - This great innovation provides you with 2 ports at the rod end and 2 ports at the rear clevis end of the cylinder. No more stocking both A & B ported cylinders*
2. *Hard Chrome Plated Piston Rod - AISI K1045 Material.*
3. *CDSM Honed Barrel.*
4. *Rod Gland manufactured from ASTM A536 ductile iron*
5. *Steel 2 Piece Piston - O-ring seal to rod gives no leak situation.*
6. *Rod End Clevis - Cast iron. Rear clevis mount - Cast Steel.*
7. *Cylinders supplied with port sealing plugs & shipped in plastic bag - this prevents dirt ingress during transportation & storage.*
8. *All cylinders are 100% pre pressure tested. Providing the customer full confidence in purchase.*
9. *Replacement seals available throughout Australia -*
 - 5 Piece Piston Seal
 - Hallite Twin Lip Rod Seal
 - Hallite Type 520 (Poly) Rod Wiper
 - Tube & Piston Id O-rings made from nitrile rubber



AG SERIES Hydraulic Cylinder

BORE SIZE - 1.5 INCH

Max Pressure 3500 PSI (240 Bar)

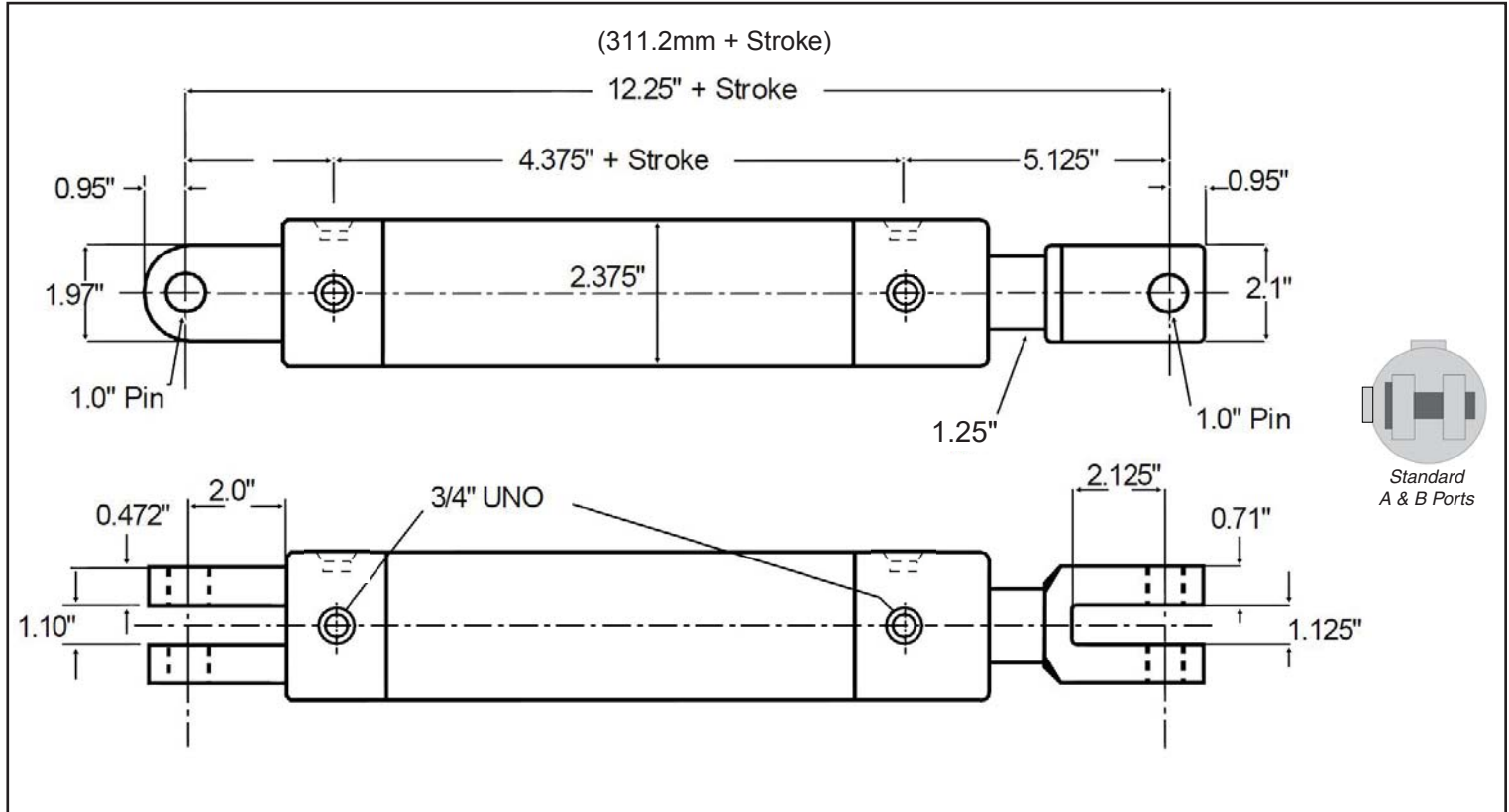


| Part No. | Stroke (Inch) | Pin to Pin "Closed" (Inch) | Rod (Inch) | Pin (Inch) | Ports (Inch) | Weight (kg) |
|----------|---------------|----------------------------|------------|------------|--------------|-------------|
| AG1502AB | 2 | 9.5 + STROKE | 0.875 | 0.75 | 9/16 UNO | 3.5 |
| AG1504AB | 4 | | | | | 4 |
| AG1506AB | 6 | | | | | 4.5 |
| AG1508AB | 8 | | | | | 5 |
| AG1510AB | 10 | | | | | 5.5 |
| AG1512AB | 12 | | | | | 6 |
| AG1516AB | 16 | | | | | 7 |
| AG1518AB | 18 | | | | | 7.5 |
| AG1520AB | 20 | | | | | 8 |
| AG1524AB | 24 | | | | | 9 |
| AG1530AB | 30 | | | | | 10.5 |
| AG1536AB | 36 | | | | | 12 |
| AG1548AB | 48 | | | | | 18 |

AG SERIES Hydraulic Cylinder

BORE SIZE - 2 INCH

Max Pressure 3500 PSI (240 Bar)

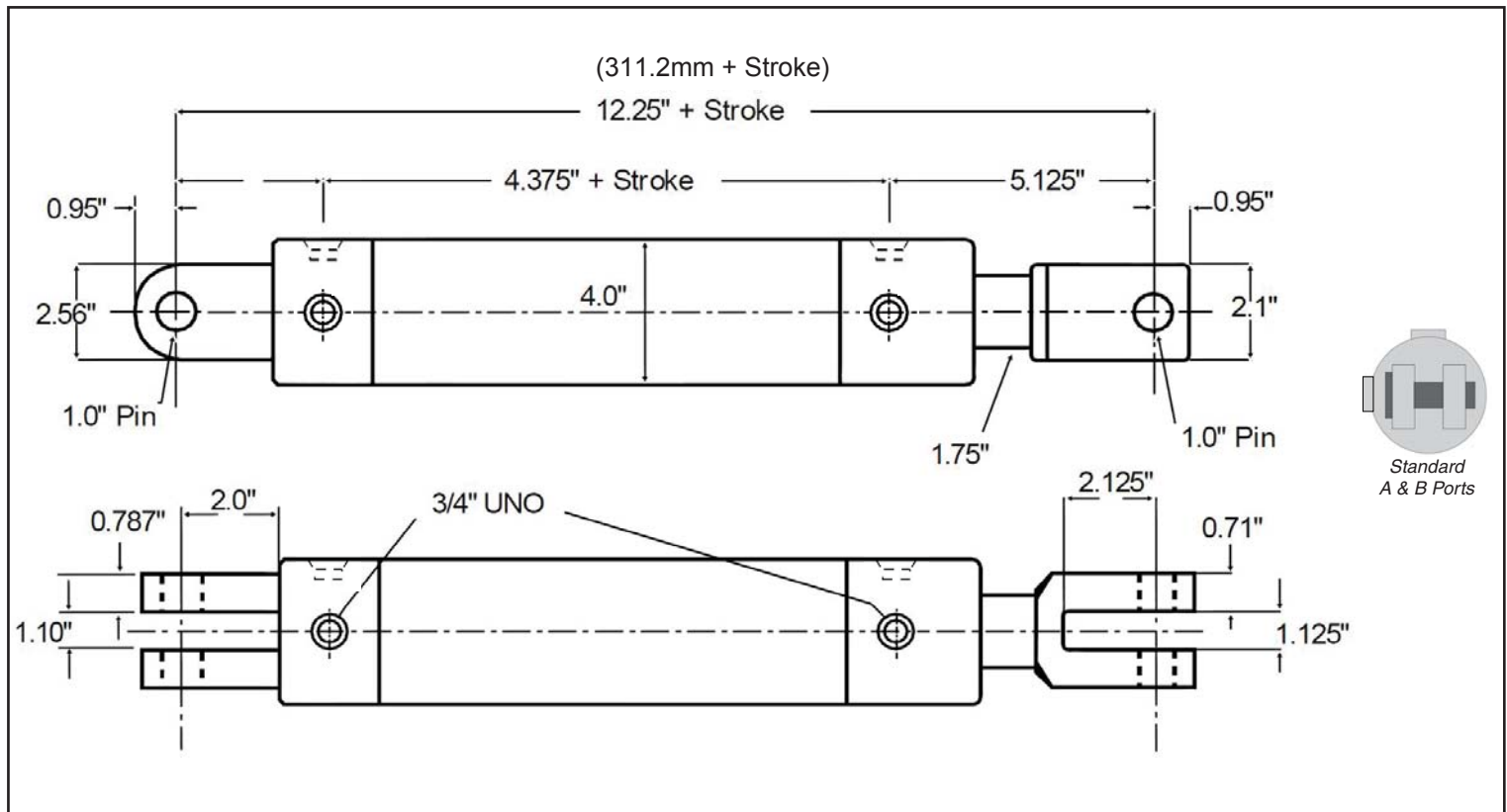


| Part No. | Stroke (Inch) | Pin to Pin "Closed" (Inch) | Rod (Inch) | Pin (Inch) | Ports (Inch) | Weight (kg) |
|----------|---------------|----------------------------|------------|------------|--------------|-------------|
| AG2002AB | 2 | 12.25 + STROKE | 1.25 | 1 | 3/4 UNO | 7.5 |
| AG2004AB | 4 | | | | | 8 |
| AG2006AB | 6 | | | | | 9 |
| AG2008AB | 8 | | | | | 10 |
| AG2010AB | 10 | | | | | 10.5 |
| AG2012AB | 12 | | | | | 11.5 |
| AG2014AB | 14 | | | | | 12 |
| AG2016AB | 16 | | | | | 13 |
| AG2018AB | 18 | | | | | 14 |
| AG2020AB | 20 | | | | | 14.5 |
| AG2022AB | 22 | | | | | 15.5 |
| AG2024AB | 24 | | | | | 16 |
| AG2026AB | 26 | | | | | 17 |
| AG2028AB | 28 | | | | | 18 |
| AG2030AB | 30 | | | | | 19 |
| AG2036AB | 36 | | | | | 21 |
| AG2042AB | 42 | 23.5 | | | | |
| AG2048AB | 48 | 26 | | | | |

AG SERIES Hydraulic Cylinder

BORE SIZE - 3.5 INCH

Max Pressure 3250 PSI (224 Bar)

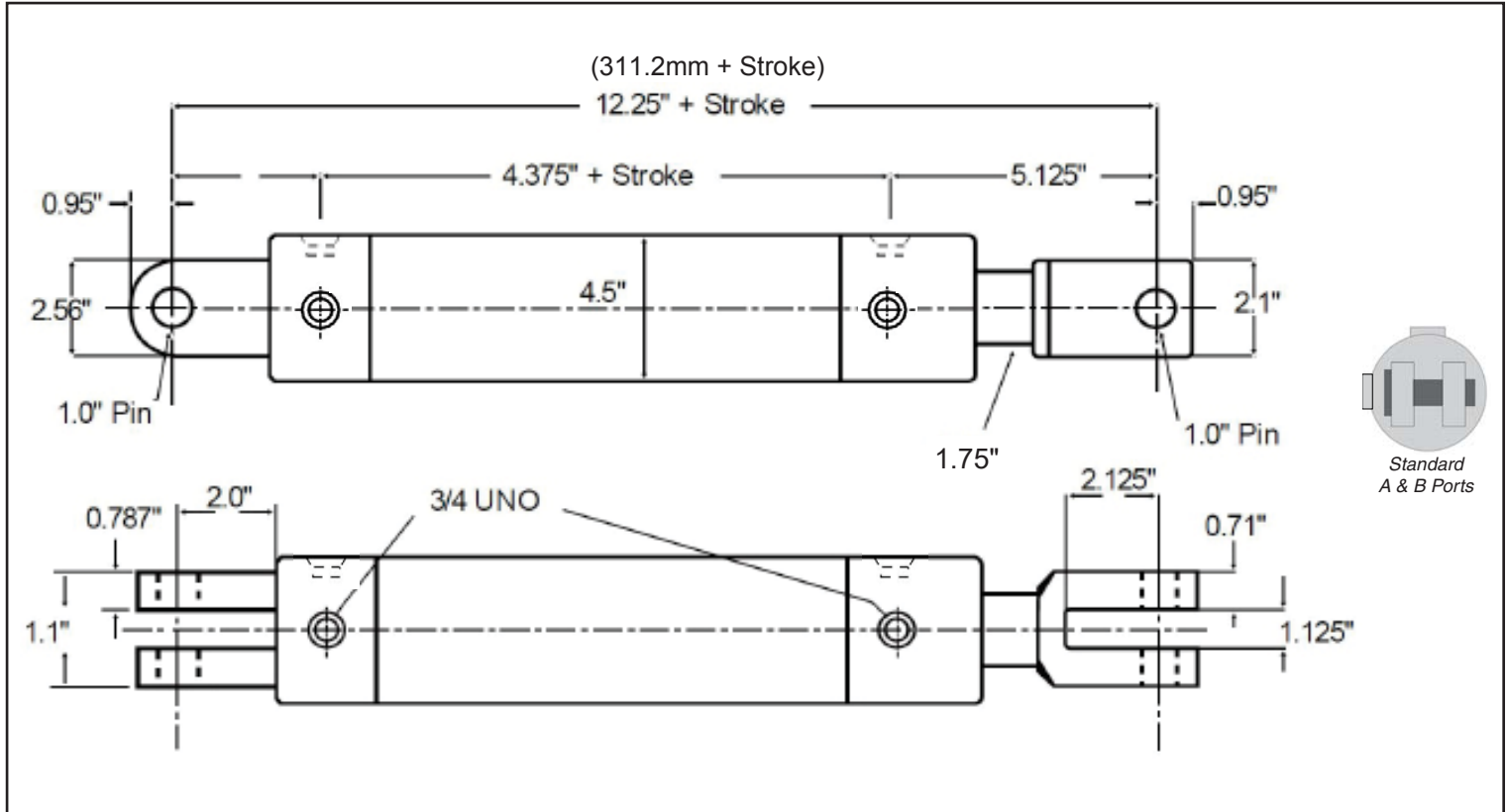


| Part No. | Stroke (Inch) | Pin to Pin "Closed" (Inch) | Rod (Inch) | Pin (Inch) | Ports (Inch) | Weight (kg) |
|----------|---------------|----------------------------|------------|------------|--------------|-------------|
| AG3506AB | 6 | 12.25 + STROKE | 1.75 | 1 | 3/4 UNO | 22 |
| AG3508AB | 8 | | | | | 23 |
| AG3510AB | 10 | | | | | 25 |
| AG3512AB | 12 | | | | | 26 |
| AG3514AB | 14 | | | | | 27 |
| AG3516AB | 16 | | | | | 29 |
| AG3518AB | 18 | | | | | 30 |
| AG3520AB | 20 | | | | | 32 |
| AG3524AB | 24 | | | | | 34 |
| AG3530AB | 30 | | | | | 39 |
| AG3536AB | 36 | | | | | 43 |
| AG3542AB | 42 | | | | | 47 |
| AG3548AB | 48 | | | | | 51 |

AG SERIES Hydraulic Cylinder

BORE SIZE - 4 INCH

Max Pressure 3000 PSI (206 Bar)



| Part No. | Stroke (Inch) | Pin to Pin "Closed" (Inch) | Rod (Inch) | Pin (Inch) | Ports (Inch) | Weight (kg) |
|----------|---------------|----------------------------|------------|------------|--------------|-------------|
| AG4008AB | 8 | 12.25 + STROKE | 1.75 | 1 | 3/4 UNO | 23 |
| AG4012AB | 12 | | | | | 26 |
| AG4016AB | 16 | | | | | 29 |
| AG4018AB | 18 | | | | | 30 |
| AG4020AB | 20 | | | | | 32 |
| AG4024AB | 24 | | | | | 35 |
| AG4030AB | 30 | | | | | 39 |
| AG4036AB | 36 | | | | | 44 |
| AG4042AB | 42 | | | | | 48 |
| AG4048AB | 48 | | | | | 53 |

AG SERIES Accessories

SEAL KITS

| Part No. | Bore Size (Inch) | Rod Size (inch) |
|-----------|------------------|-----------------|
| BSK-15087 | 1.5 | 0.875 |
| BSK-20125 | 2 | 1.25 |
| BSK-2515 | 2.5 | 1.5 |
| BSK-3015 | 3 | 1.5 |
| BSK-35175 | 3.5 | 1.75 |
| BSK-40175 | 4 | 1.75 |



CYLINDER PINS

| Part No. | Pin Size (Inch) | Suits Bore (inch) |
|-----------|-----------------|-------------------|
| B-PIN0.75 | 0.75 | 1.5 |
| B-PIN1.0 | 1 | 2, 2.5, 3, 3.5, 4 |



Counter Balance Valve for Standard Cylinders

Banjo Mount—Directly on the Cylinder

Ordering Code

| | | | | |
|---|--------------------------|----------------|--------------------|-------------------------|
| * | OCV | B | U | * |
| | S = Single D = Double | Banjo Mount | For UNO Port | 09 = 9/16" 12 = 3/4" |

Example: SOCVBU-09

Specifications:-

| | |
|---------------------------------|-----------------|
| Material - Steel | Alloy - 6061 |
| Surface Treatment - Zinc Plated | Alloy - Nil |
| Max Working Pressure - 350 Bar | Alloy - 210 Bar |
| Port Sizes - A & B = 3/4" UNO | |

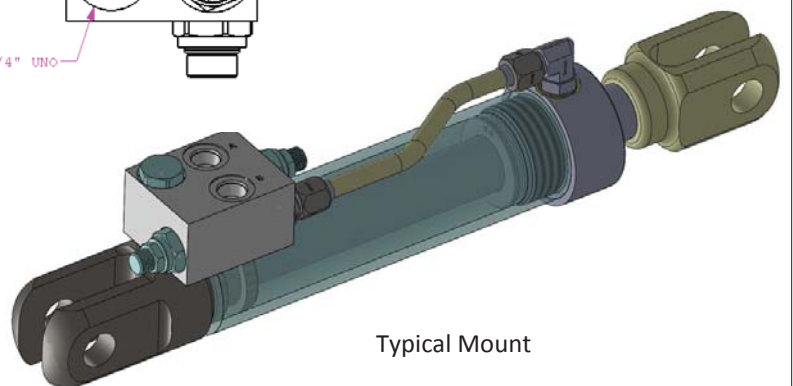
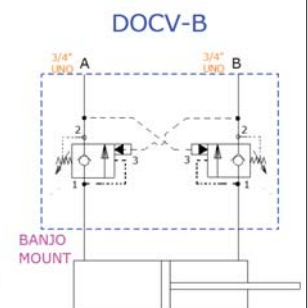
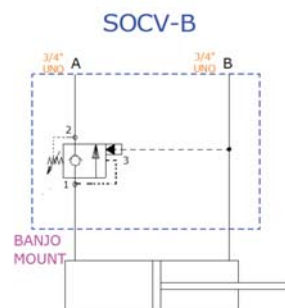
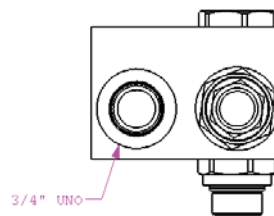
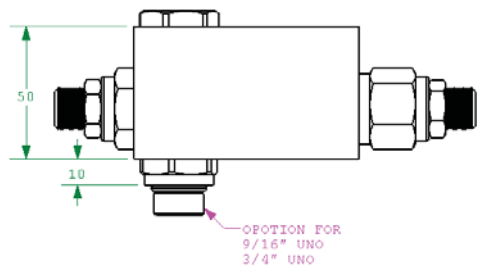
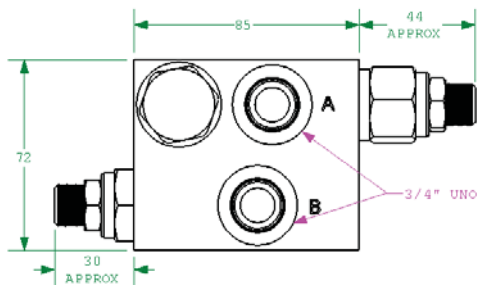
Included Parts:-

Counter balance valves
Banjo bolt (set)

Optional:-

Command Control Valve is Standard
Can be supplied manifold with Sun Valves on Request.
Also optional Ports and Sizes are available on Request.

Technical details



Contact BOSS Hydraulics for more information -



BOSS Hydraulics
19 Ricketts Rd,
Mt Waverley, VIC 3149
P: +61 3 9562 8800
F: +61 3 9562 8080
E: sales@pthydraulics.com.au

