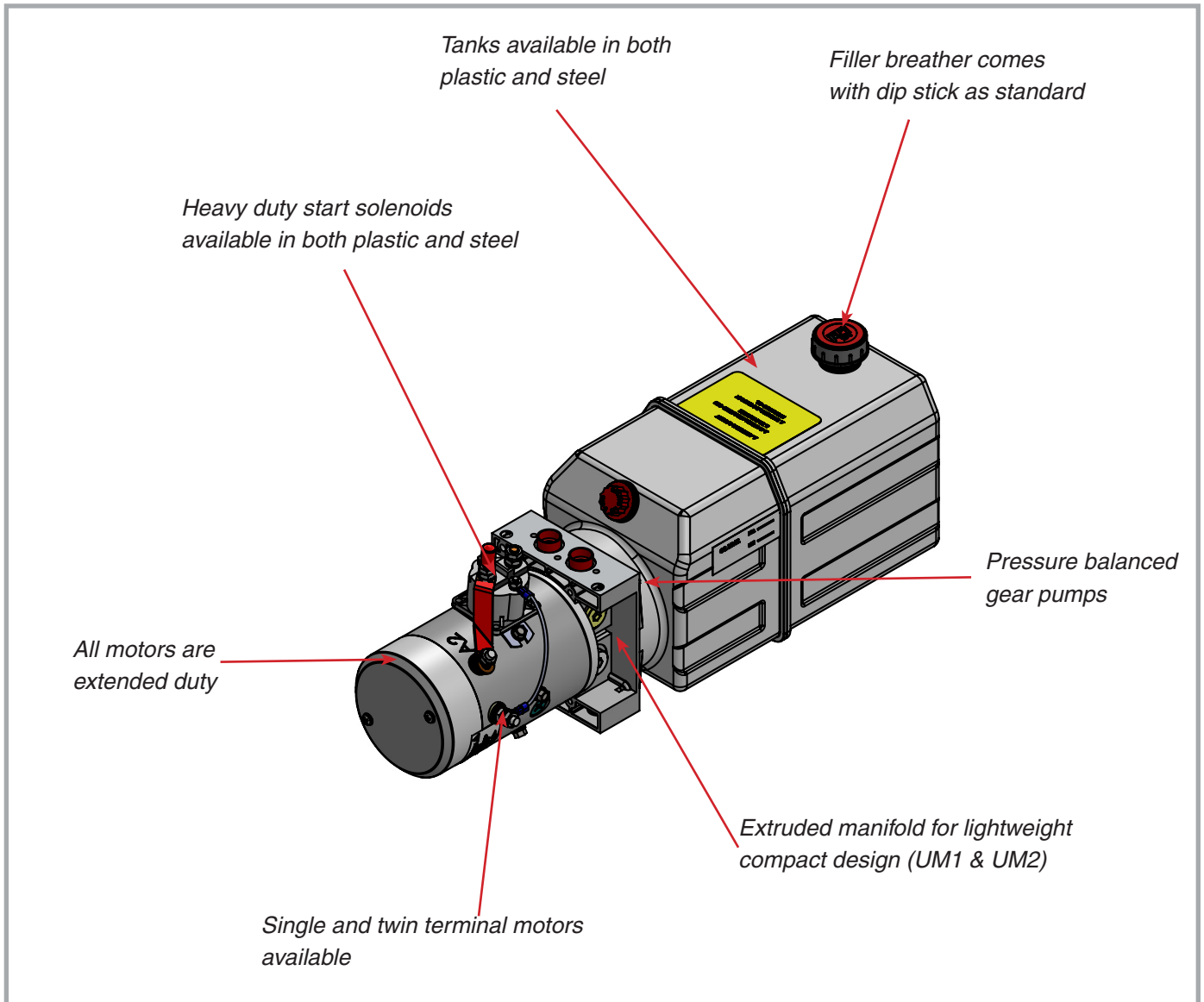
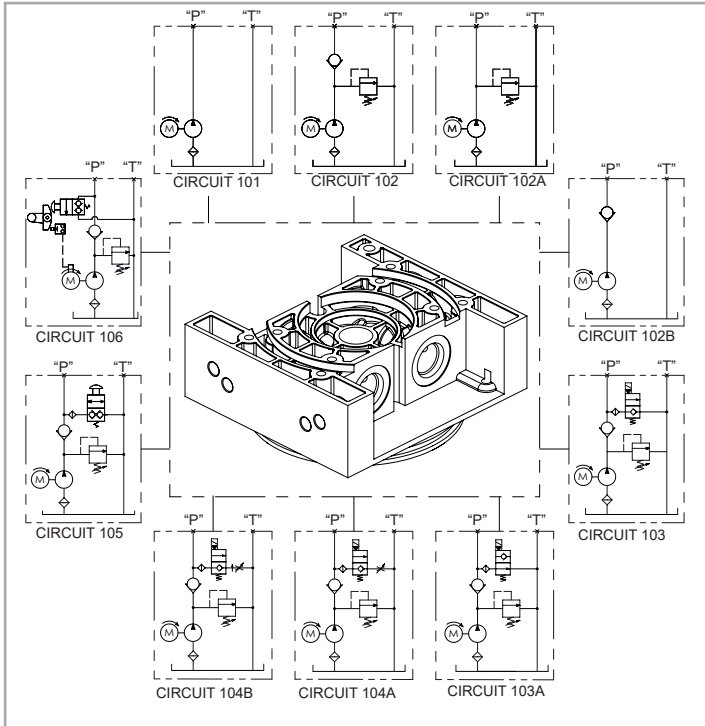


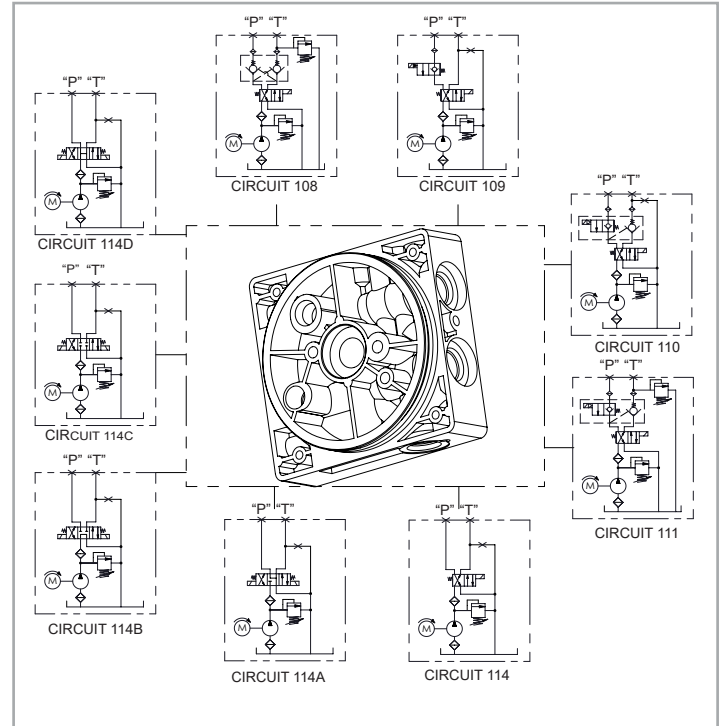
FEATURES OF THE NEW BOSS HYDRAULIC POWER PACKS



MANIFOLD - UM1



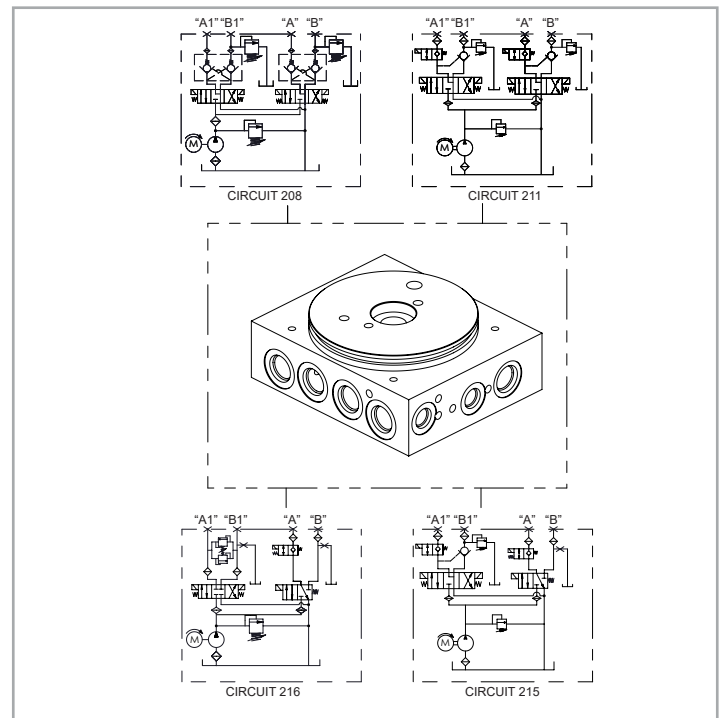
MANIFOLD - UM2



OPTIONS

- Wide variety - 3 manifolds capable of over 20 circuits
- 12v and 24v motors offered with single or twin terminals
- Standard tank sizes from 1.5 litre to 26 litre
- Plastic and steel tanks available in square, round, and offset
- Pump sizes from 0.63cc to 6.0cc
- "Plug and Play" style remote pendant options
- Fully customisable to suit your specific needs

MANIFOLD - UM3



PAIR IT WITH A BOSS CYLINDER



- Dual ported UN-Oring threads
- Hard chrome plated piston rod - AISI K1045 material
- CDSM honed barrel
- Range of bore sizes available (1.5-5")