

DIN PLUGS

FEATURES

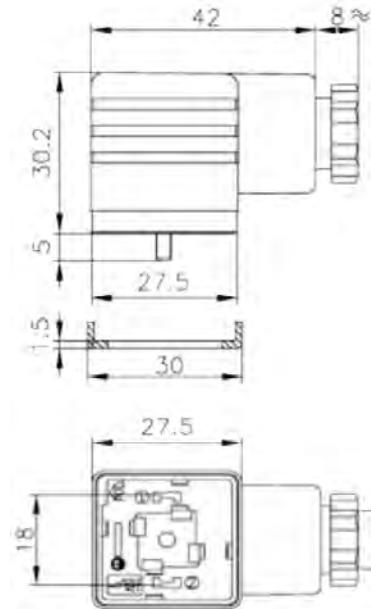
- IP65 Rated
- DIN 43650-A Standard

SPECIFICATIONS

Part Number	Description
KA0132000B9	DIN Plug with PG9 - Black
KA0132000A9	DIN Plug with PG9 - Grey
KA132V57T9	Transparent with LED Indication & Diode Transil (protect overvoltage)
KA132R13B9	DIN Plug with Rectifier (use with B01-205RAC Coil)



KA132V57T9



Measurements in mm

HDF BOLT KITS

SPECIFICATIONS

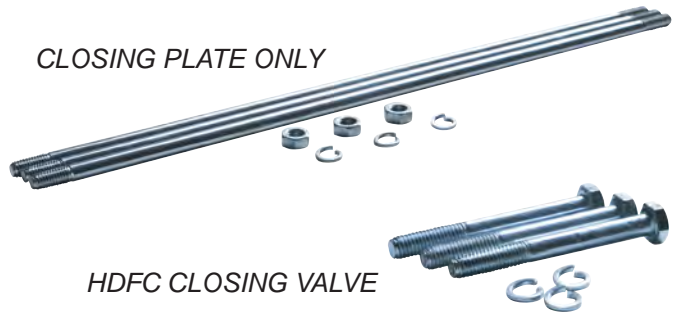
Closing Plate Only

Part Number	Description
KIT-M6X55	1 Section Bolt Kit
KIT-M6X100	2 Section Bolt Kit
KIT-M6X130	3 Section Bolt Kit
KIT-M6X160	4 Section Bolt Kit

HDFC Closing Valve

Part Number	Description
KIT-M6X40	1 Section Bolt Kit
KIT-M6X75	2 Section Bolt Kit
KIT-M6X105	3 Section Bolt Kit
KIT-M6X135	4 Section Bolt Kit

CLOSING PLATE ONLY



HDFC CLOSING VALVE

Part Number	Description
KIT-M6X194	5 Section Bolt Kit
KIT-M6X224	6 Section Bolt Kit
KIT-M6X256	7 Section Bolt Kit
KIT-M6X287	8 Section Bolt Kit

Part Number	Description
KIT-M6X167	5 Section Bolt Kit
KIT-M6X199	6 Section Bolt Kit
KIT-M6X230	7 Section Bolt Kit
KIT-M6X265	8 Section Bolt Kit