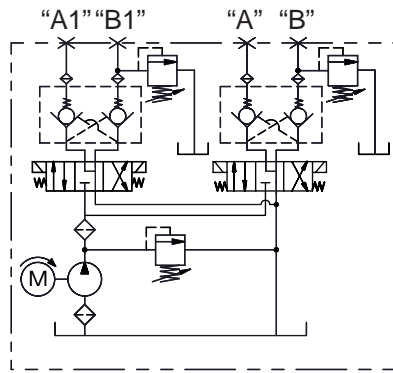
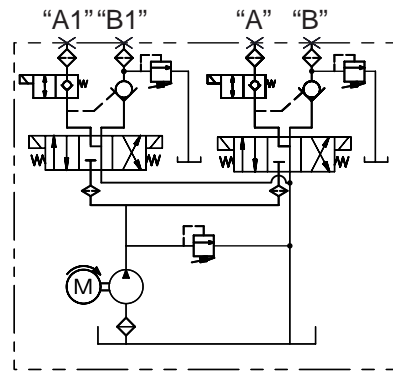


UNIVERSAL MANIFOLD 3 (UM3)

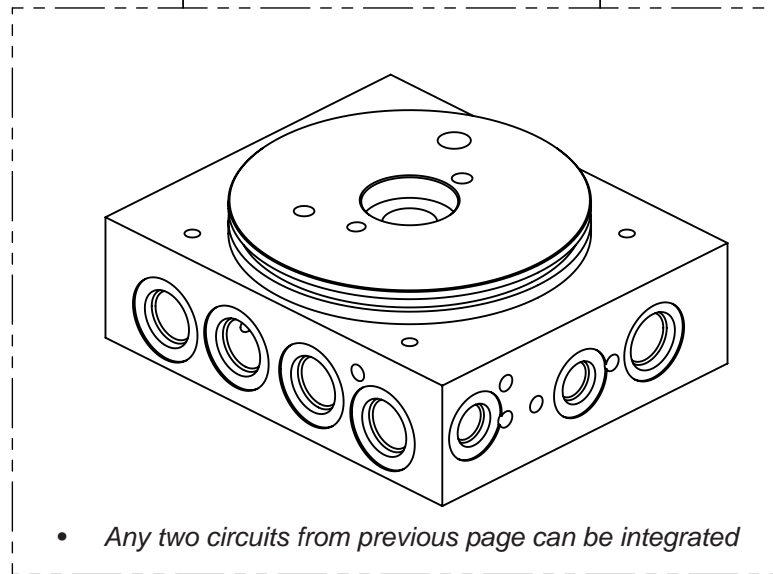
- Allows for multiple integrated single and double acting circuits
- Manufactured from lightweight aluminium
- Industry standard C08 cavities
- 9/16 SAE ports
- Can also integrate any two circuits from UM2 manifold



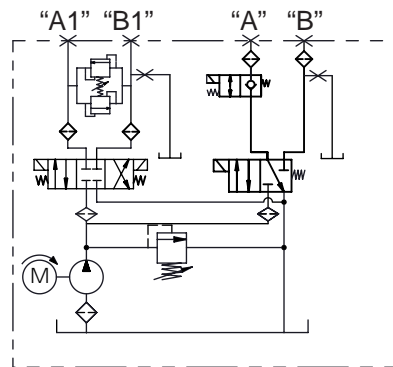
CIRCUIT 208 (U)



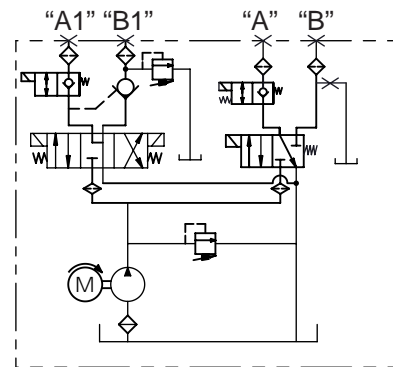
CIRCUIT 211 (V)



- Any two circuits from previous page can be integrated



CIRCUIT 216 (X)



CIRCUIT 215 (W)