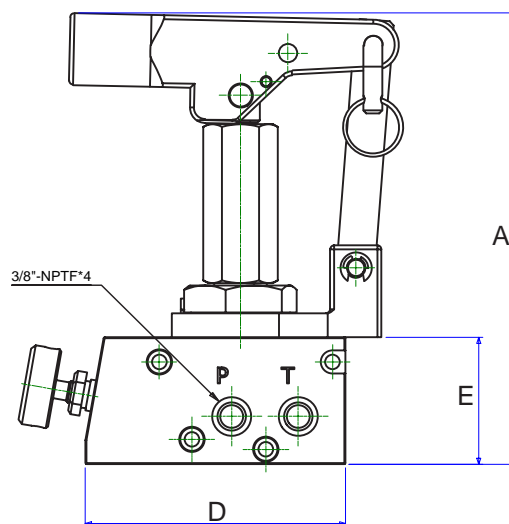
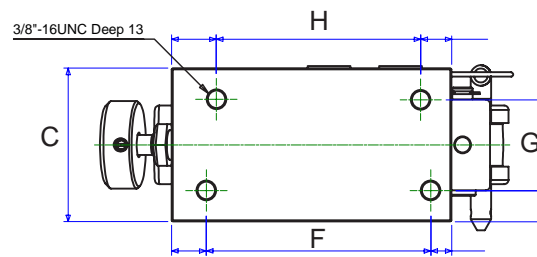


MODEL: PHR-SERIES

- Maximum working pressure : 12,000 psi / 827 Bar
- Maximum output : 34cc per stroke

FEATURES

- Anodised aluminium pump body and forged pump head for inline operations
- Can be used with multiple fluids including water and some chemical liquids
- Ideal for pipe leakage testing and for a system back up
- Wide range of operating pressure options



SPECIFICATIONS

Model	Pressure Rating (bar)	Oil Volume per Stroke (cc)	A (mm)	B (mm)	C (mm)	D (mm)	E (mm)	F (mm)	G (mm)	H (mm)	Weight (kg)
PHR0534	52	34.0	225.1	70	70	128.8	63.5	103.2	41.4	94	5.7
PHR0714	69	14.70	225.1	70	70	128.8	63.5	103.2	41.4	94	6.1
PHR2085	206	8.50	225.1	70	70	128.8	63.5	103.2	41.4	94	5.9
PHR4038	448	3.80	225.1	70	70	128.8	63.5	103.2	41.4	94	5.5
PHR8023	827	2.36	225.1	70	70	128.8	63.5	103.2	41.4	94	4.4