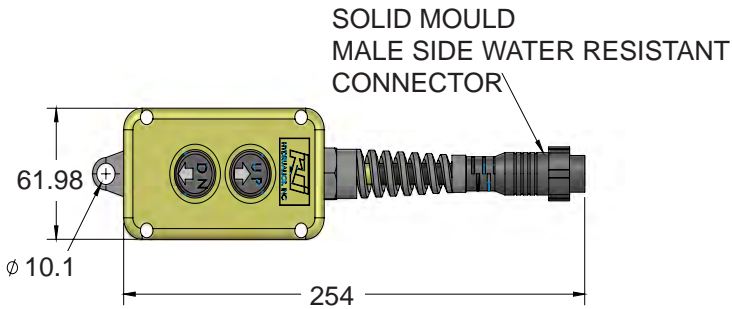
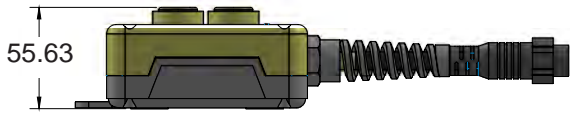
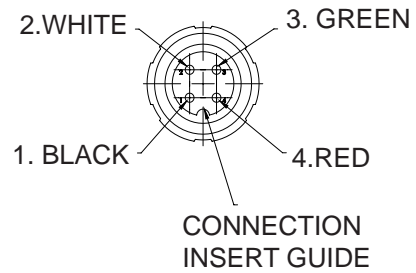


PENDANT SPECIFICATIONS

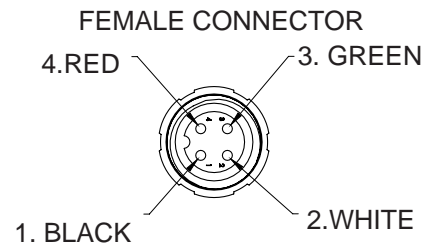
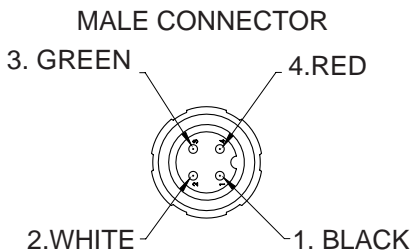
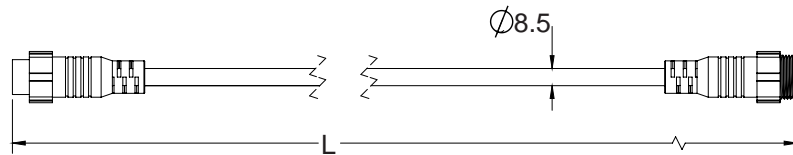


395-55 395-55/ 395-55-L 395-55-L
(reverse side with magnets)

Model	Description
395-55	2 button pendant with solid mould quick connector
395-55-L	As above with LED battery condition indicator



EXTENSION CABLE

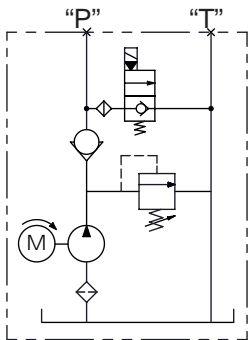


Model	Description	Length (m)
74-06	Extension cord with one male and one female solid mould connectors	4.57
74-07	Extension cord with one male and one female solid mould connectors	7.62

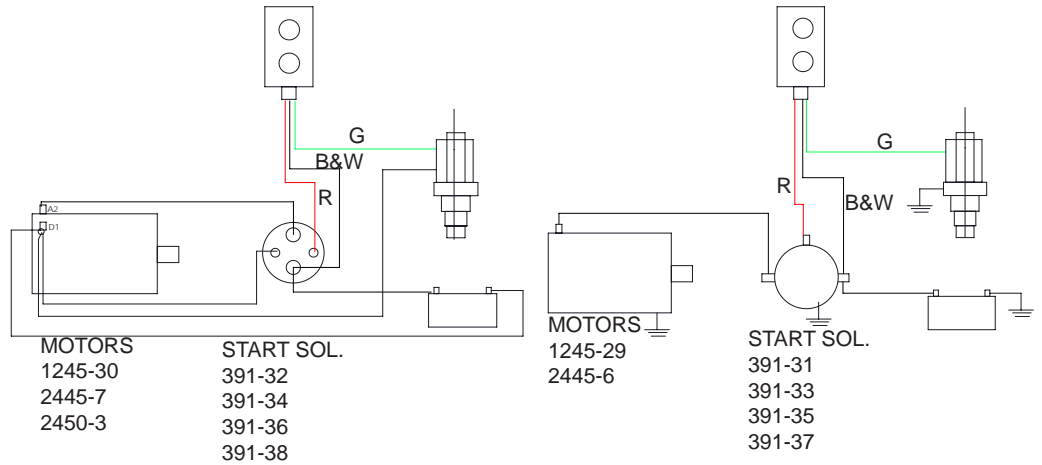


SINGLE ACTING

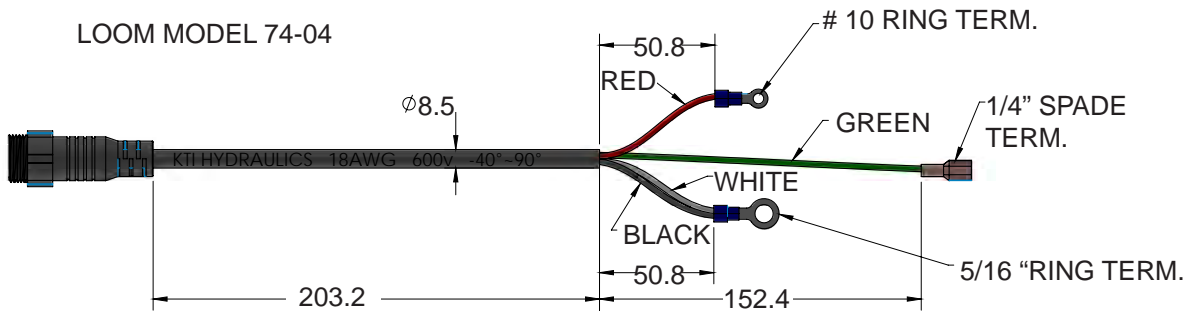
2W2P USING INTEGRAL VALVE



Example circuit

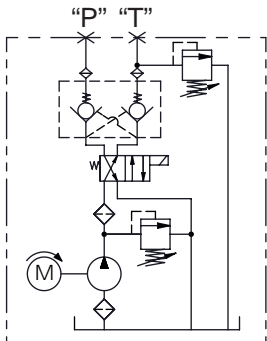


LOOM MODEL 74-04

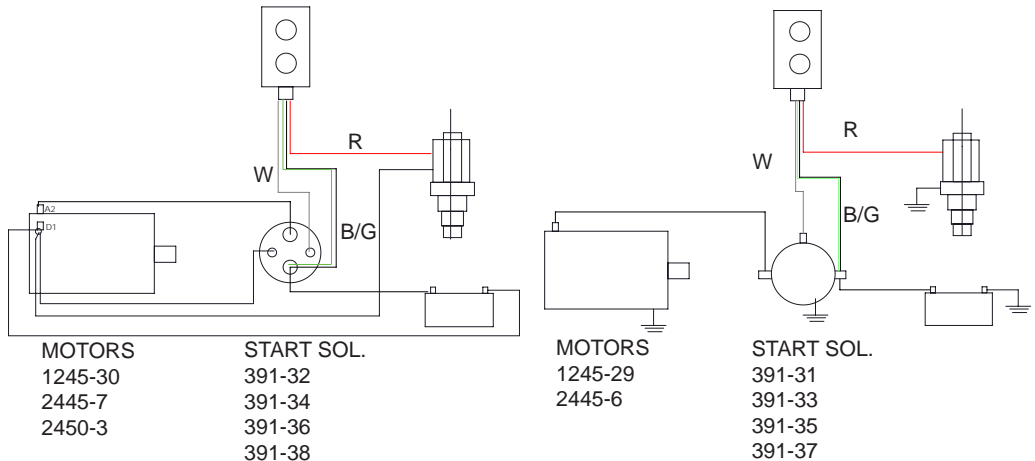


DOUBLE ACTING

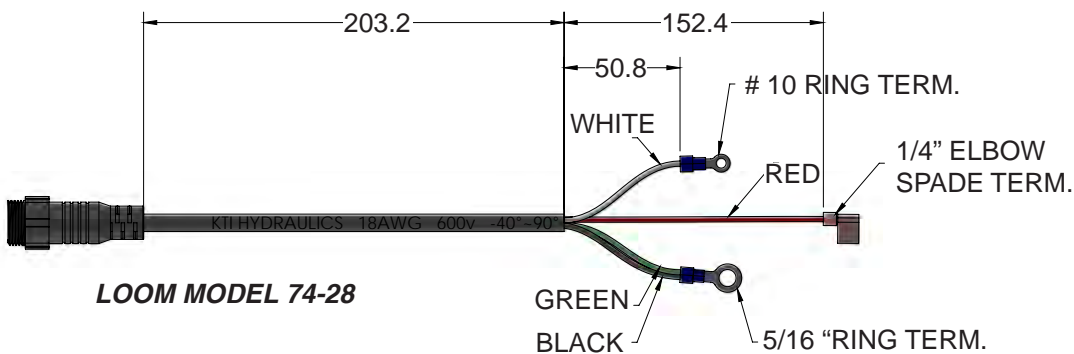
4W2P USING INTEGRAL VALVES



Example circuit

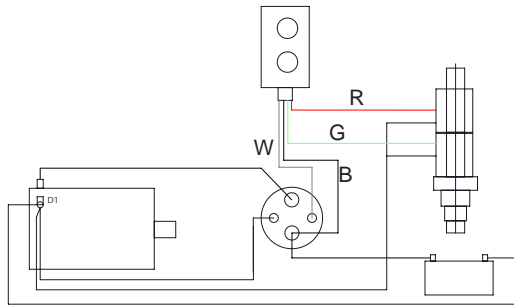
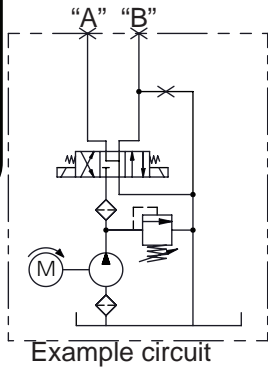


LOOM MODEL 74-28



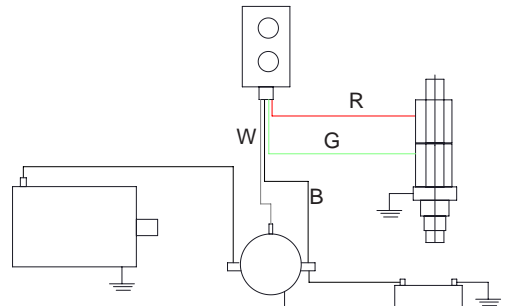
DOUBLE ACTING

4W3P USING INTEGRAL VALVES



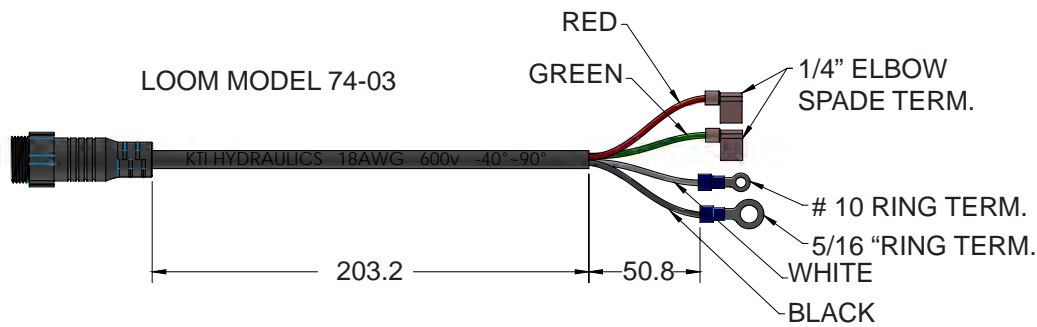
MOTORS
1245-30
2445-7
2450-3

START SOL.
391-32
391-34
391-36
391-38

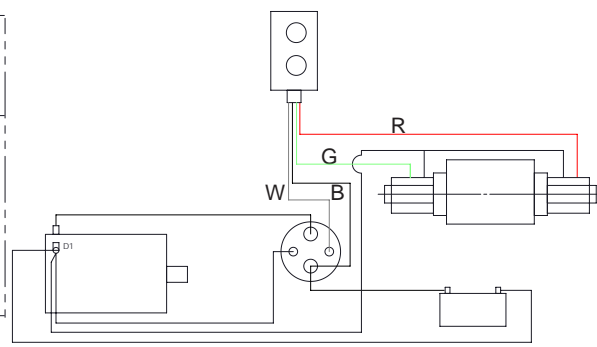
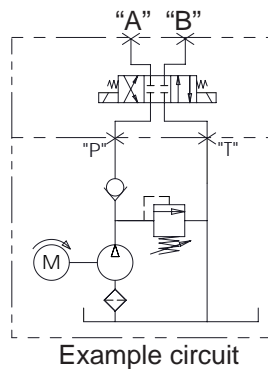


MOTORS
1245-29
2445-6

START SOL.
391-31
391-33
391-35
391-37

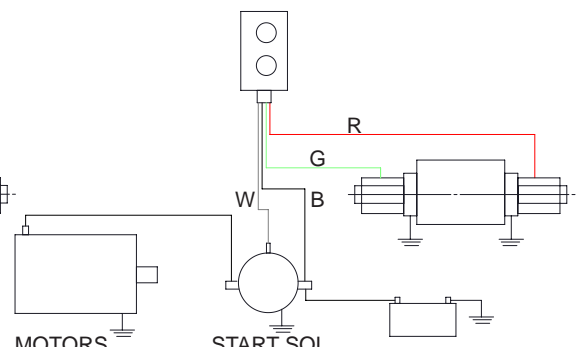


4W3P USING CETOP VALVES



MOTORS
1245-30
2445-7
2450-3

START SOL.
391-32
391-34
391-36
391-38



MOTORS
1245-29
2445-6

START SOL.
391-31
391-33
391-35
391-37

LOOM MODEL 74-31

