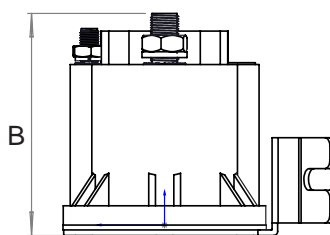
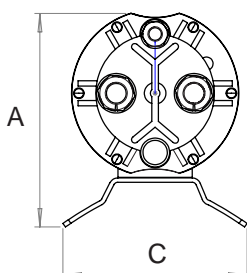


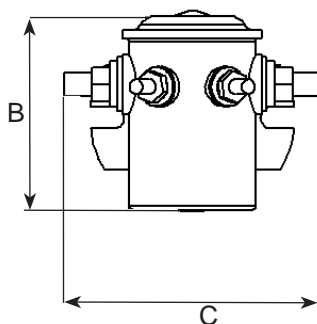
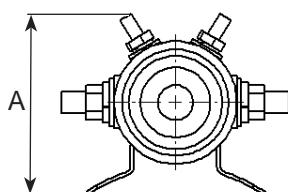
FEATURES

- Available in plastic or steel
- 200 amp continuous rated capacity
- Available with 3 terminal for internally ground models or 4 terminal for externally ground models



SPECIFICATIONS

Build Code	Model	Description	A (mm)	B (mm)	C (mm)
1	391-31	12v, 3 Terminal, Plastic	78.5	66.2	69.1
2	391-32	12v, 4 Terminal, Plastic	78.5	66.2	69.1
3	391-33	24v, 3 Terminal, Plastic	78.5	66.2	69.1
4	391-34	24v, 4 Terminal, Plastic	78.5	66.2	69.1



SPECIFICATIONS

Build Code	Model	Description	A (mm)	B (mm)	C (mm)
5	391-35	12v, 3 Terminal, Steel	59.8	63.3	87.4
6	391-36	12v, 4 Terminal, Steel	59.8	63.3	87.4
7	391-37	24v, 3 Terminal, Steel	59.8	63.3	87.4
8	391-38	24v, 4 Terminal, Steel	59.8	63.3	87.4