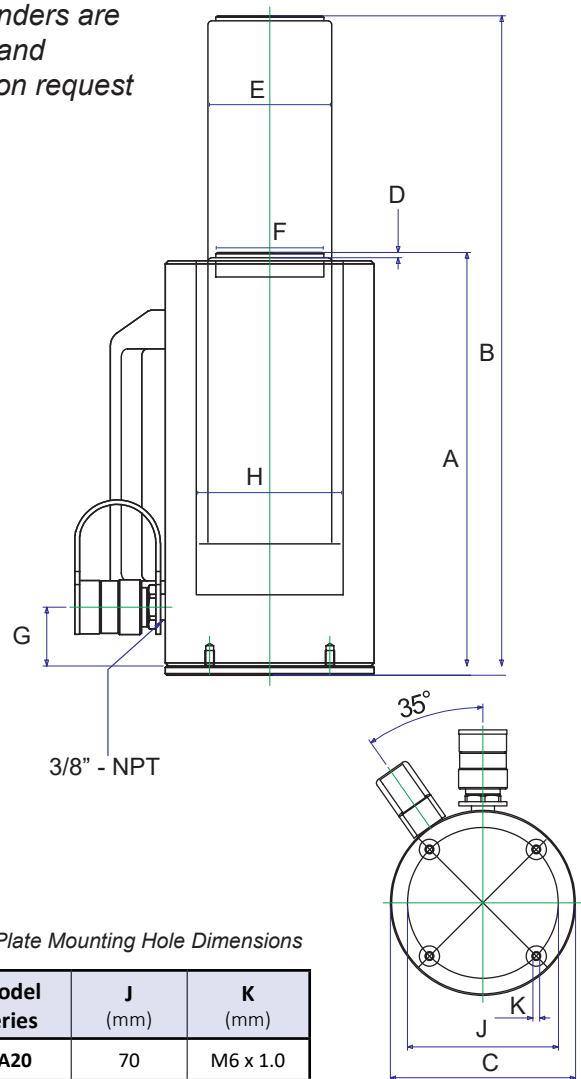




All Aluminium Cylinders are priced on request and available to order on request



MODEL: CA-SERIES

- Single Acting - Spring Return
- Capacity : 20 - 100 Ton
- Stroke : 50mm - 250mm
- Maximum working pressure : 10,000 psi / 700 Bar

FEATURES

- Up to half the weight of comparative steel cylinders
- Large bearing surface for side load protection
- Carry handle standard on larger models
- Hard anodised coating reduces wear and corrosion
- Heavy duty spring for faster return
- Internal stop ring allows cylinder to withstand full dead end load
- Rod wiper protects cylinder against contamination

Base Plate Mounting Hole Dimensions

Model series	J (mm)	K (mm)
CA20	70	M6 x 1.0
CA30	80	M6 x 1.0
CA50	110	M6 x 1.0
CA100	160	M6 x 1.0

SPECIFICATIONS

Model	Cap Ton	Stroke (mm)	Oil Cap (cc)	Cylinder Effective Area (cm ²)	A Retracted Height (mm)	B Extended Height (mm)	C Outside Dia. (Ømm)	D Bore Dia. (Ømm)	E (mm)	F (Ømm)	G (mm)	H (mm)	Weight (kgs)
CA202	20	50	166	30.2	168	218	92	62	40	55	25	3	4.3
CA204		100	332	30.2	218	318	92	62	40	55	25	3	5
CA206		150	498	30.2	268	418	92	62	40	55	25	3	5.7
CA208		200	664	30.2	318	518	92	62	40	55	25	3	6.5
CA302	30	50	221	44.18	175	225	110	75	40	60	25	3	6
CA304		100	442	44.18	225	325	110	75	40	60	25	3	6.9
CA306		150	663	44.18	275	425	110	75	40	60	25	3	7.9
CA308		200	884	44.18	325	525	110	75	40	60	25	3	8.8
CA502	50	50	354.5	70.89	171	221	135	95	70	80	30	6	5.9
CA504		100	709	70.89	221	321	135	95	70	80	30	6	7.7
CA506		150	1063.5	70.89	271	421	135	95	70	80	30	6	9.1
CA5010		250	1772.5	70.89	371	621	135	95	70	80	30	6	11.7
CA1002	100	50	715.5	143.16	185	235	200	135	70	105	30	6	16.4
CA1004		100	1431	143.16	235	335	200	135	70	105	30	6	17.2
CA1006		150	2145	143.16	285	435	200	135	70	105	30	6	25.1
CA1008		200	2860	143.16	335	535	200	135	70	105	30	6	28.5
CA10010		250	3575	143.16	385	635	200	135	70	105	30	6	30.7