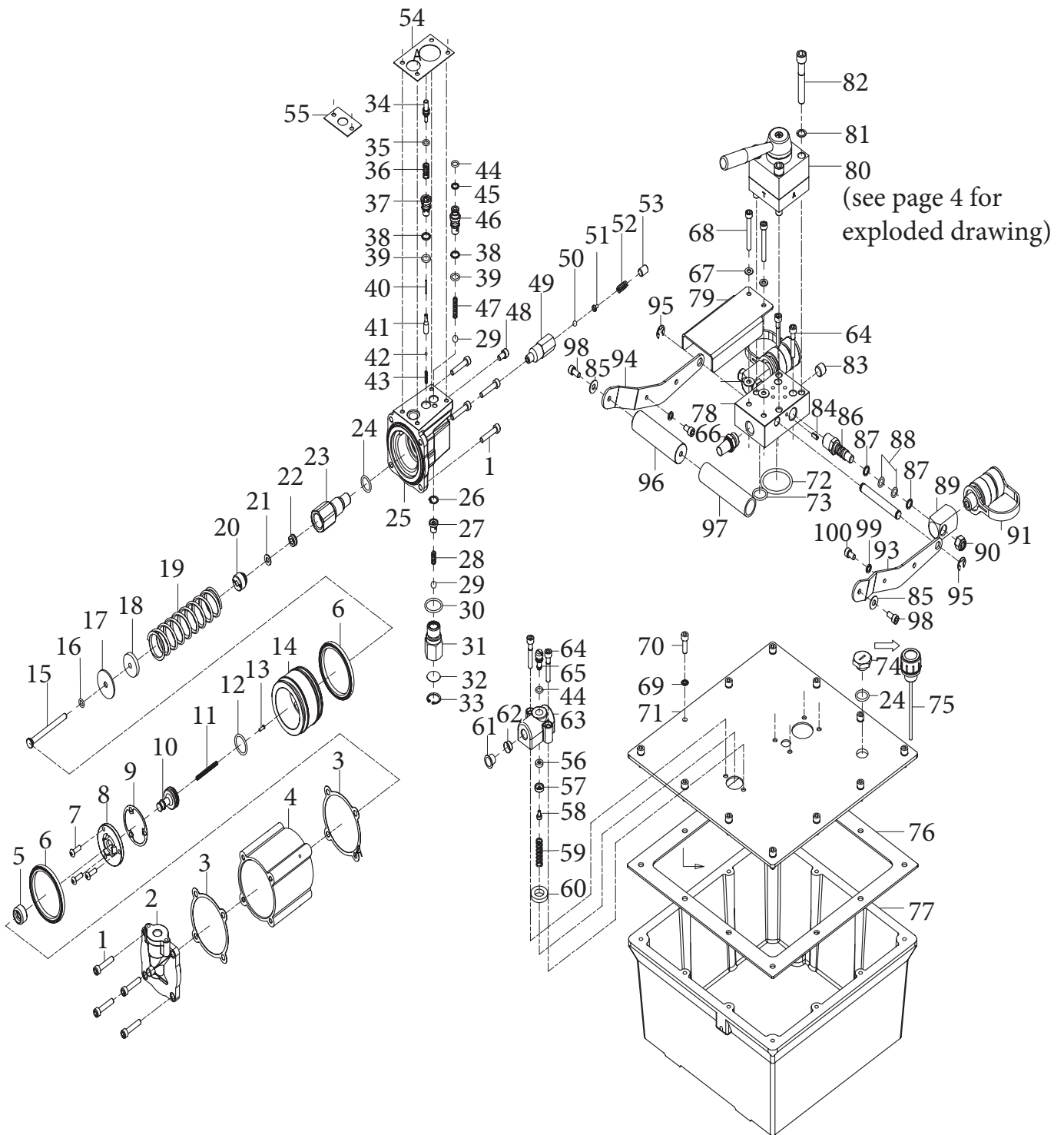


Part # PAD019-8
Model A



(Form #BPL1195)

Item	Part #	Qty	Description
1	1B11928	8	Bolt
2	1B11929	1	Top Cap
3*	1B11930	2	Packing
4	1B11931	1	Cylinder Tube
5	1B11932	1	Bumper
6*	1B11933	2	Back-Up Ring
7	1B11934	3	Bolt
8	1B11935	1	Air piston cover
9	1B11936	1	Packing
10	1B11937	1	Change Piston
11	1B11938	1	Spring
12*	1B11939	1	O-Ring
13	1B11940	1	Stud
14	1B11941	1	Air piston housing
15	1B11942	1	Pump Piston
16*	1B11943	1	O-Ring
17	1B11944	1	Piston Cylinder Cap
18*	1B11945	1	O-Ring Washer
19	1B11946	1	Piston Extension Spring
20	1B11947	1	Pump Cylinder Cap
21*	1B11948	1	Back-Up Ring
22*	1B11949	1	U-Cup Ring
23	1B11950	1	Pump Cylinder
24*	1B11951	2	O-Ring
25	1B11952	1	Pump body
26	1B11953	1	Snap ring
27	1B11954	1	Oil Inlet Valve Stud
28	1B11955	1	Spring
29	1B11956	2	Steel Ball

Item	Part #	Qty	Description
30*	1B11957	1	O-Ring
31	1B11958	1	Oil Inlet Valve
32*	1B11959	1	Filter
33	1B11960	1	Snap ring
34	1B11961	1	Release Valve stud
35*	1B11962	1	O-Ring
36	1B11963	1	Spring
37	1B11964	1	Release Valve Base
38*	1B11965	2	Back-Up Ring
39*	1B11966	2	O-Ring
40	1B11967	1	Release pin
41	1B11968	1	Release Valve
42	1B11969	1	Steel Ball
43	1B11970	1	Spring
44*	1B11971	2	O-Ring
45*	1B11972	1	Back-Up Ring
46	1B11973	1	Oil inlet Valve
47	1B11974	1	Spring
48	1B11975	1	Bolt
49	1B11976	1	Valve Cartridge
50	1B11977	1	Steel Ball
51	1B11978	1	Stud
52	1B11979	1	Spring
53	1B11980	1	Screw
54	1B11981	1	Pump body gasket large
55	1B11982	1	Pump body gasket small
56*	1B11983	1	O-Ring Washer
57	1B11984	1	Air Inlet Valve Cap

Repair kit 1BK3050 includes all items marked with an *

(Form #BPL1195)

Item	Part #	Qty	Description
58	1B11985	1	Bolt
59	1B11986	1	Spring
60*	1B11987	1	O-Ring Washer
61	1B11988	1	Cover
62*	1B11989	1	Filter
63	1B11990	1	Air Inlet Valve Seat
64	1B11991	4	bolt
65	1B11992	1	Air Inlet Valve
66	1B11993	1	Silencer
67	1B11997	2	Washer
68	1B11998	2	Bolt
69*	1B11685	12	Copper washer
70	1B11618	12	Screw
71	1B13039	1	Top plate
72*	1B12003	1	O-Ring
73*	1B12004	1	O-Ring
74	1B12005	1	Bolt
75	1B12006	1	Air Ventilation Bolt
76	1B11619	1	Reservoir Gasket
77	1B11616	1	Reservoir Asm. 2GAL
78	1B13048	1	Connecting Block
79	1B13049	1	Foot Plate
80	1B11666	1	Valve Assembly (page 4)
81	1B11672	4	Washer
82	1B11671	4	Cap Screw
83	1B11497	1	Set Screw
84	1B11789	1	Spring Pin
85	1B12404	4	Washer

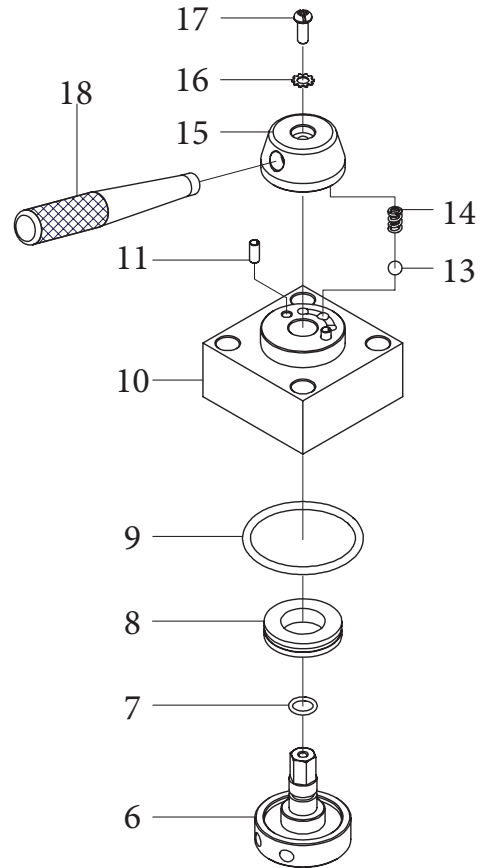
Item	Part #	Qty	Description
86	1B12234	2	Oil Pressure Valve Assy
87*	1B11625	4	Back-Up Ring
88*	1B12444	4	O-Ring
89	1B12235	2	Coupler Body
90	1B11752	2	Lock Nut
91	FMC6	2	Quick Coupler
92	1B13042	1	Pin
93	1B13043	1	Handle Left
94	1B13044	1	Handle Right
95	1B11788	2	E-Ring
96	1B13045	1	Handle
97	1B13046	1	Black Handle Sleeve
98	1B13047	2	Screw
99	1B11801	2	Spring Washer
100	1B12285	2	Screw

Repair kit 1BK3050 includes all items marked with an *

(Form #BPL1195)

Exploded view of 1B1666

Item	Part #	Qty	Description
1	1B12801	1	Shear Seal Plate
2*	1B11416	3	O-Ring
3*	1B11415	3	Back-Up Ring
4*	1B11587	3	Thrust Washer
5*	1B11138	3	Shear Seal A
6	1B11137	1	Valve Rotor
7*	1B11680	1	O-Ring
8	1B11604	1	Bearing
9*	1B12261	1	O ring
10	1B12262	1	Valve top plate
11	1B11789	3	Spring Pin
12	1B12265	2	Screw
13	1B11820	1	Steel Ball
14	1B11585	1	Spring
15	1B12263	1	Handle base
16	1B11586	1	Toothed Lock Washer
17	1B11504	1	Screw
18	1B11123	1	Handle
19*	1B12266	4	O Ring



Repair kit 1BK2800 includes all items marked with an *

