

MFAT4

MECHANICAL FIXED FLANGE AND
ROTATIONAL LEVELING TOOL

BOSS
HYDRAULICS

PRODUCT DATA SHEET



ALIGNING FORCE:

With 68N·m of torque applied: 4 Ton

KIT COMPONENTS

- 1 x MFAT4 Tool
- 1 x 68N·m Torque Wrench
- 1 x 22mm Socket
- 1 x Ratchet Strap
- 1 x Molding Case

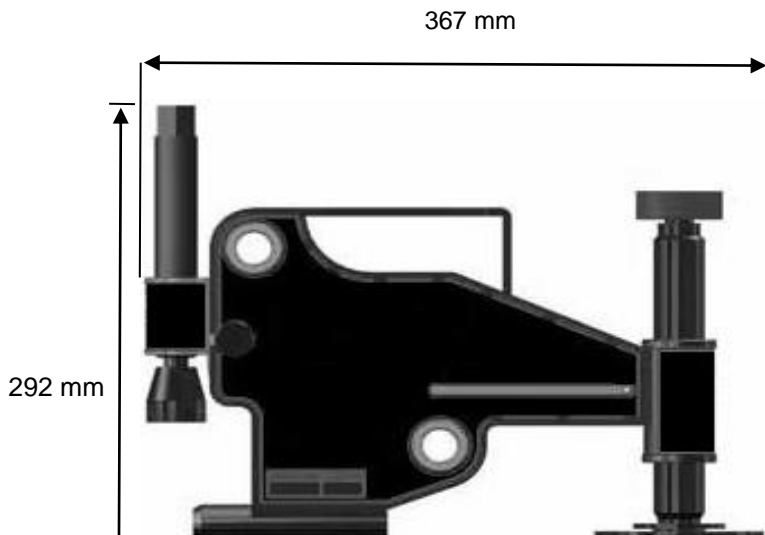
Product Code: MFAT4

TOOL WEIGHT: 8.6 kg

WEIGHTS AND DIMENSIONS

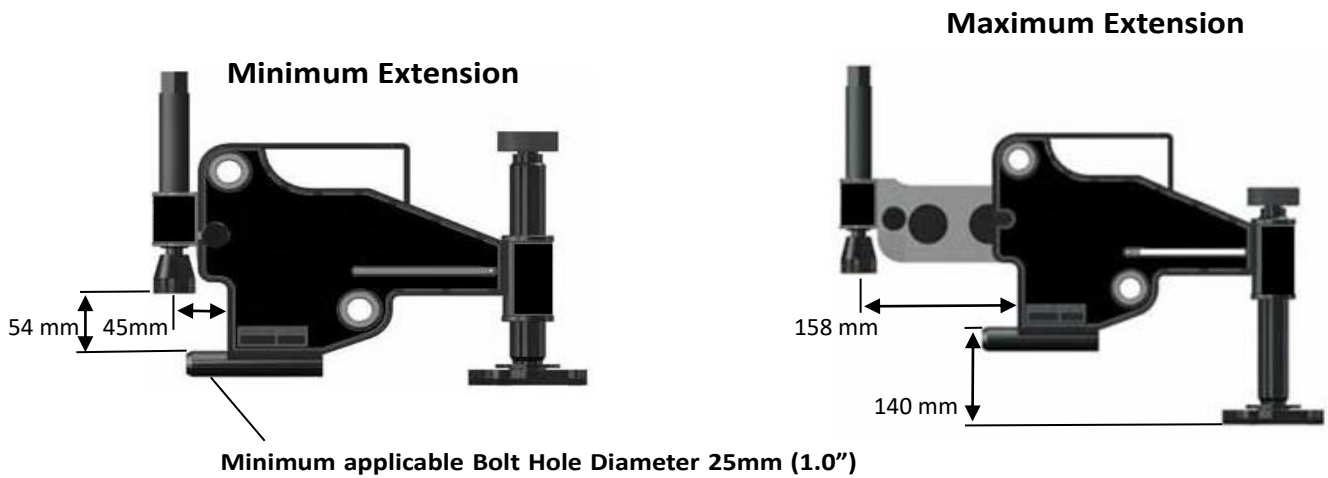
Tool weight: 8.6 kg
Case weight: 2.5 kg
Gross weight: 12.2 kg

Molding Case Dimensions:
600 mm x 370 mm x 200 mm



MFAT4

MECHANICAL FIXED FLANGE AND ROTATIONAL LEVELING TOOL



RANGE OF APPLICATION

ASME	150#	10" ~ 34"
	300#	8" ~ 14" & 26" ~ 36"
	400#	3½" ~ 10" & 26" ~ 36"
	600#	3½" ~ 8" & 26" ~ 36"
	900#	1" ~ 3" & 4" ~ 6"
	1500#	1¼" ~ 3"
	2500#	1" ~ 2½"

BOSS
HYDRAULICS



LET YOUR **BOSS** DO THE HARD WORK