

**MOTOR**

**START SOLENOID**

**PUMP**

**CIRCUIT**

**COIL TERMINALS**

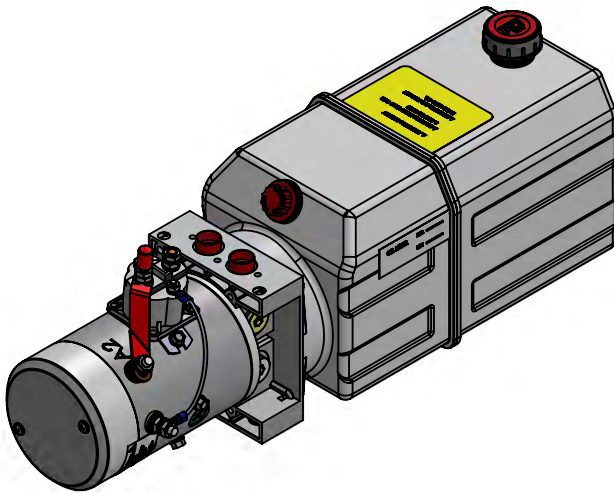
Build Code	Description
A	12v 4.5", 2.2kw, 1 Term
B	12v 4.5", 2.2kw, 2 Term
C	24v 4.5", 2.2kw, 1 Term
D	24v 4.5", 2.2kw, 1 Term
E	12/24v 5", 3.8/5.8kw 2 Term

Build Code	Description
1	12v, 3 Term, Plastic
2	12v, 4 Term, Plastic
3	24v, 3 Term, Plastic
4	12v, 4 Term, Plastic
5	12v, 3 Term, Steel
6	24v, 4 Term, Steel
7	24v, 3 Term, Steel
8	24v, 4 Term, Steel
9	Not Required

Build Code	Description
A	0.63 cc
B	0.80 cc
C	1.20 cc
D	1.60 cc
E	2.10 cc
F	2.50 cc
G	2.70 cc
H	3.20 cc
J	4.20 cc
K	5.10 cc
L	6.00 cc

Build Code	Description
A	101
B	102
C	102A
D	102B
E	103
F	103A
G	104A
H	104B
J	105
K	108
L	109
M	110
N	111
P	114
Q	114A
R	114B
S	114C
T	114D
U	208
V	211
W	215

Build Code	Description
0	Not Required
1	Dual Spade
2	Single Stud
3	Hirschmann



DUAL SPADE



SINGLE STUD



HIRSCHMANN



**RESERVOIR**

Build Code	Description
A	Not required
B	1.5 LTR Round Steel
C	2 LTR Round Steel
D	3 LTR Round Steel
E	4 LTR Round Steel
F	4 LTR Steel Offset
G	6 LTR Steel Offset
H	8 LTR Steel Offset
J	10 LTR Steel Offset
K	12 LTR Steel Offset
L	8 LTR Steel Square
M	12 LTR Steel Square
N	16 LTR Steel Square
P	20 LTR Steel Square
Q	3 LTR Plastic
R	4 LTR Plastic
S	6 LTR Plastic
T	8 LTR Plastic
U	10 LTR Plastic
V	14 LTR Plastic
Z	Special

**PLUMBING**

Build Code	Description
1	Horizontal
2	Vertical
3	Horizontal/ Vertical

**RELIEF**

Build Code	Description
A	70 Bar
B	105 Bar
C	140 Bar
D	175 Bar
E	210 Bar
F	240 Bar
G	OTHER

**UNIQUE CODE**

\* \*

**OPTIONS**
**PENDANTS**

**MANIFOLDS**

**VALVES**
