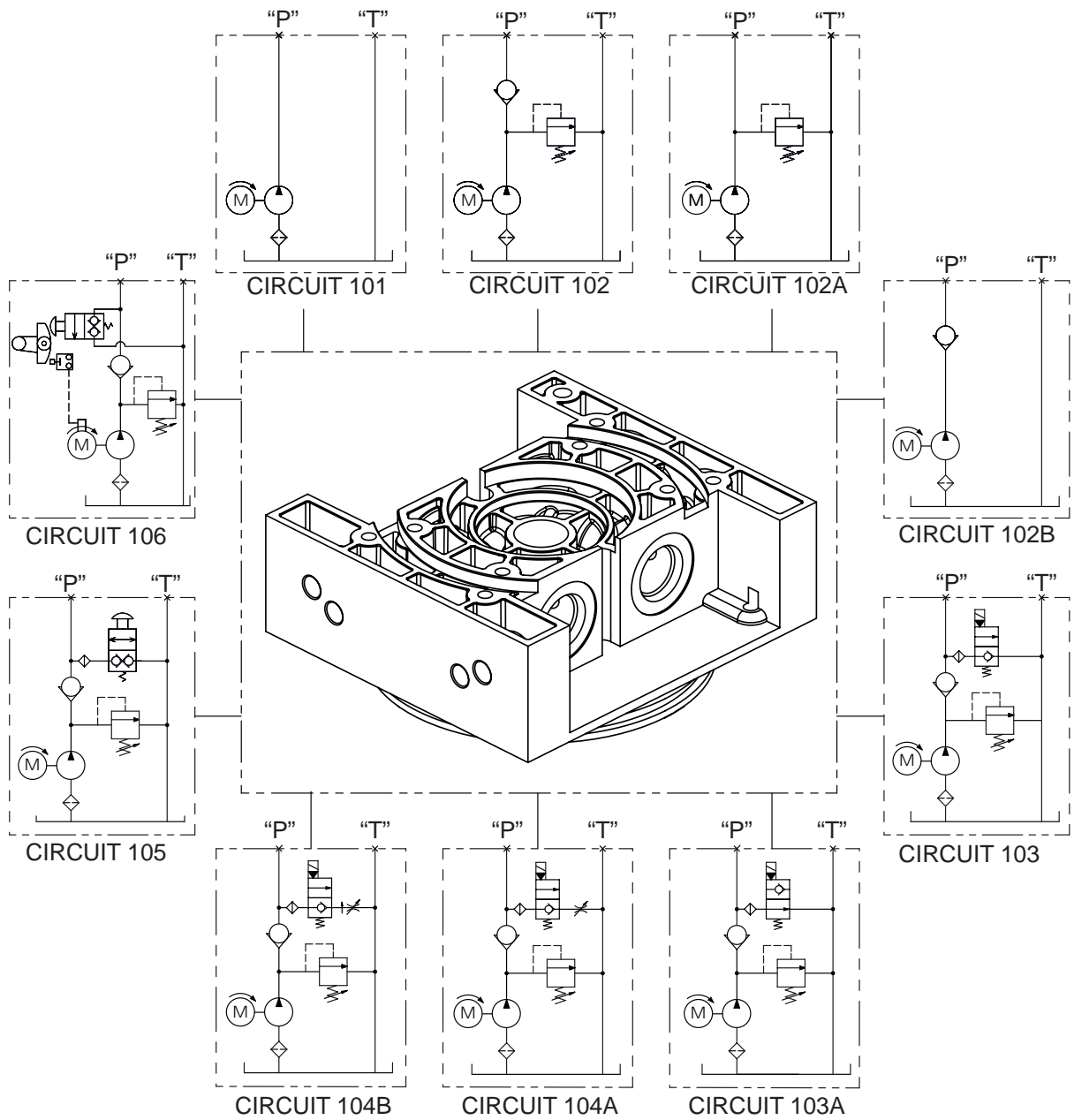


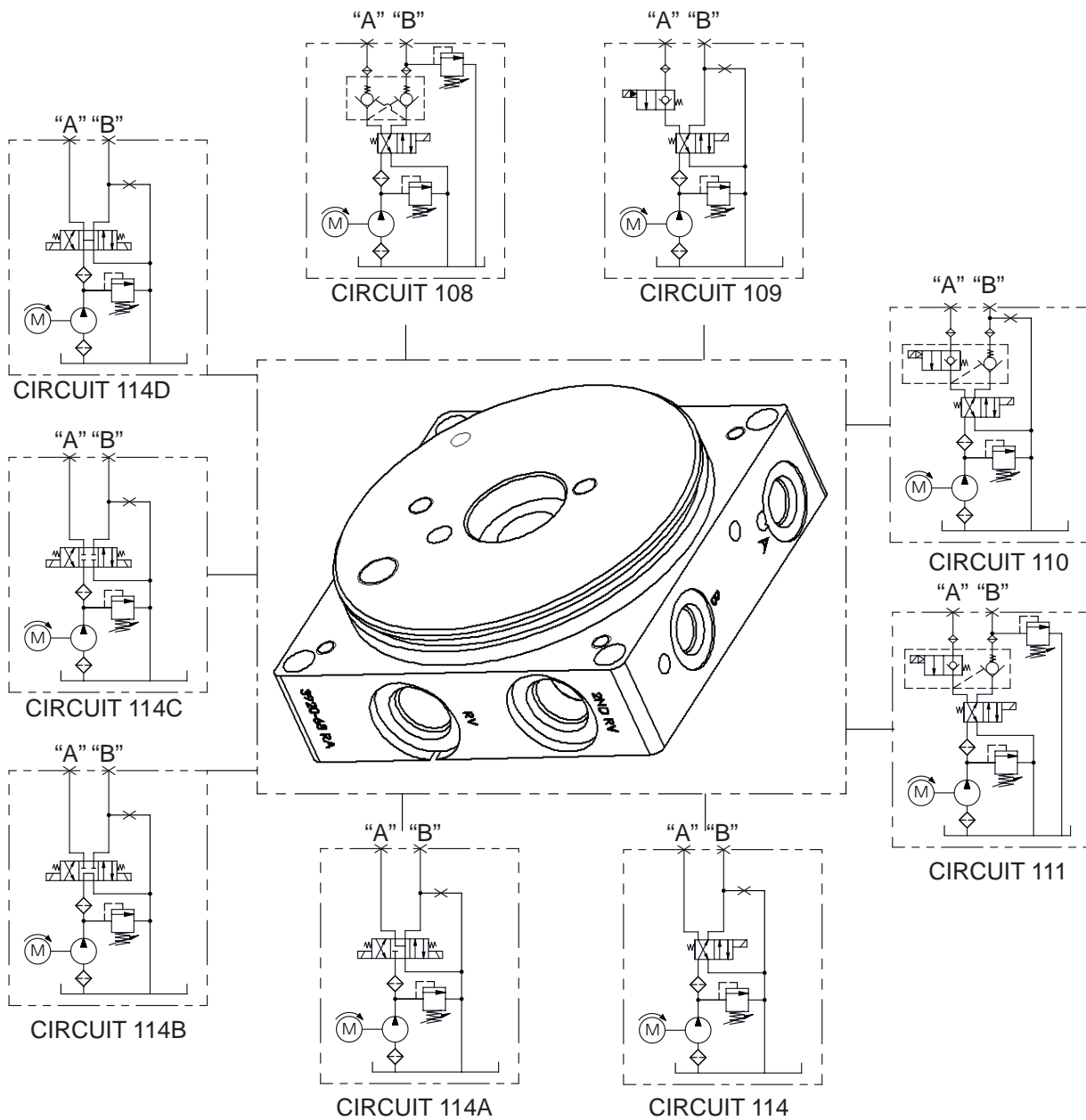
**UNIVERSAL MANIFOLD 1 (UM1)**

- 10 standard circuits
- Manufactured from lightweight aluminium
- Industry standard C08 cavities
- 3/8 BSPP ports (SAE available on request)



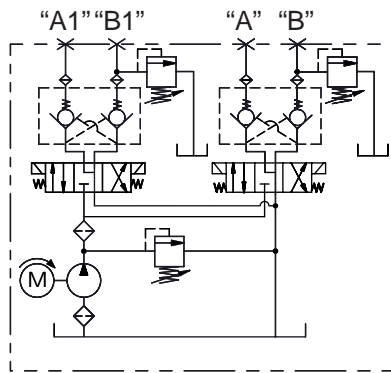
**UNIVERSAL MANIFOLD 2 (UM2)**

- 9 standard circuits
- Manufactured from lightweight aluminium
- Industry standard C08 cavities
- 9/16 SAE ports

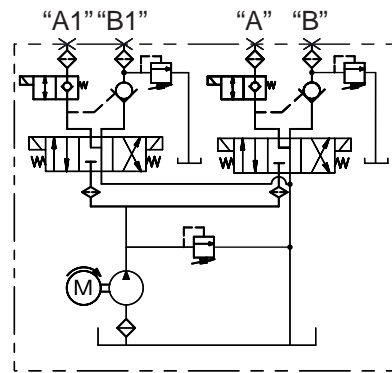


**UNIVERSAL MANIFOLD 3 (UM3)**

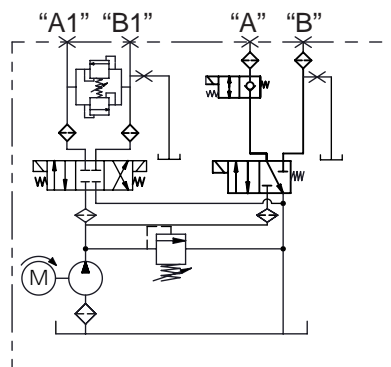
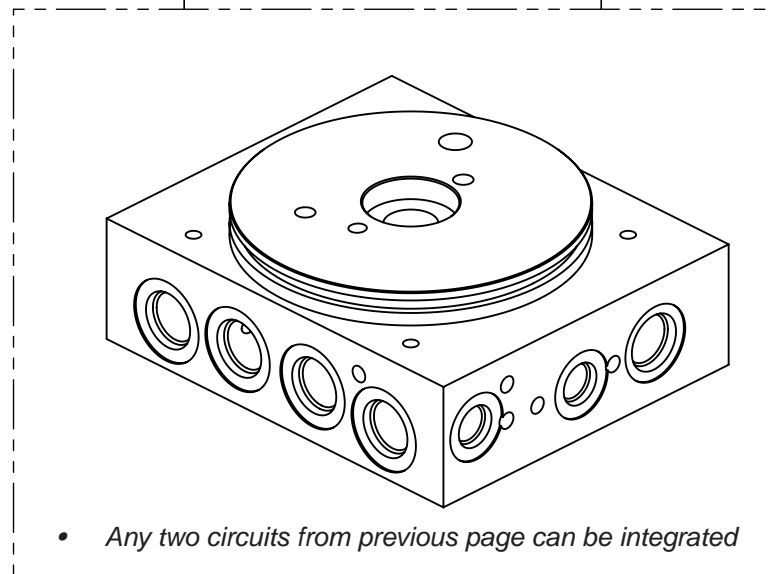
- Allows for multiple integrated single and double acting circuits
- Manufactured from lightweight aluminium
- Industry standard C08 cavities
- 9/16 SAE ports



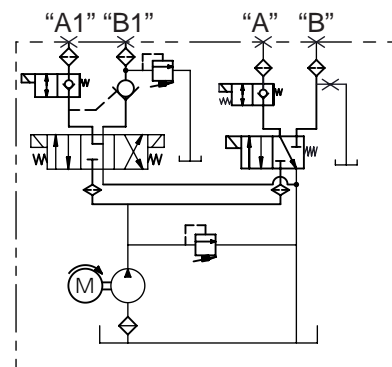
CIRCUIT 208



CIRCUIT 211



CIRCUIT 216



CIRCUIT 215