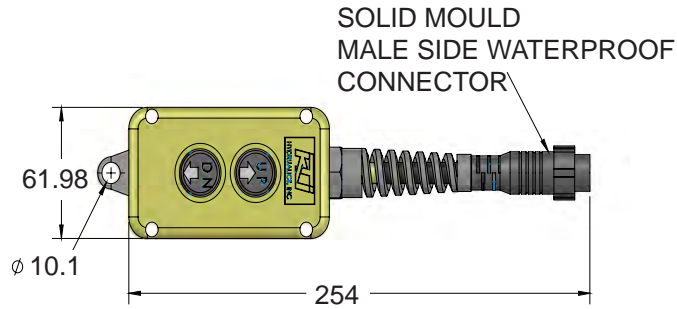
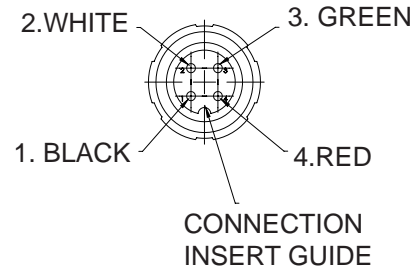


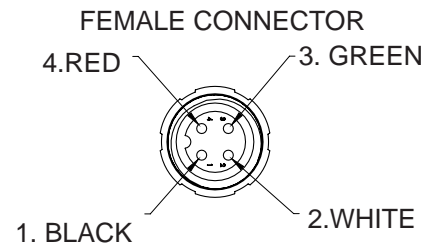
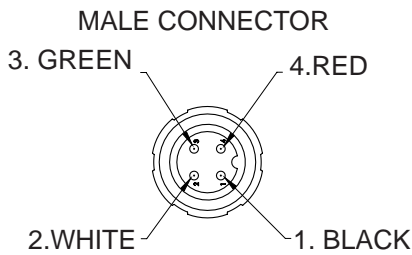
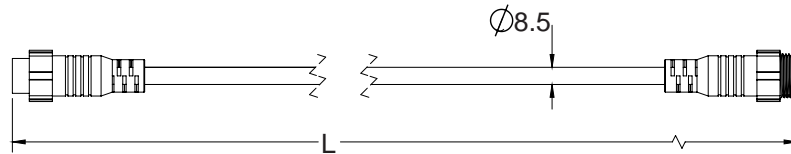
PENDANT SPECIFICATIONS



Model	Description
3952-52	2 button pendant with solid mould quick connector
395-55-1	As above with LED battery condition indicator



EXTENSION CABLE

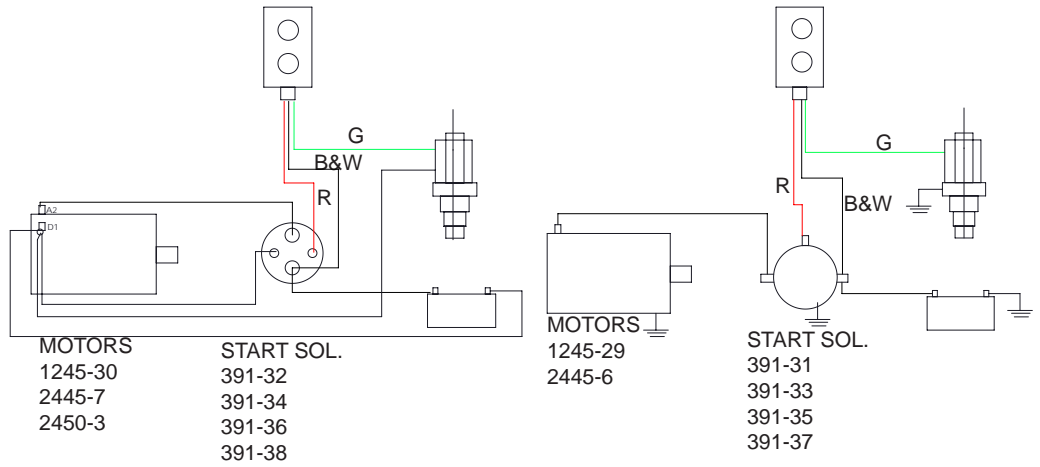
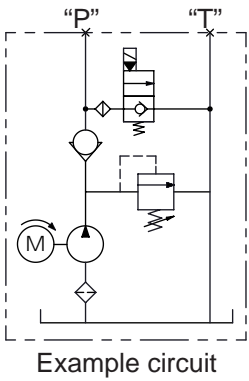


Model	Description	A Length (mm)
74-06	Extension cord with one male and one female solid mould connectors.	4572
74-07	Extension cord with one male and one female solid mould connectors.	7620

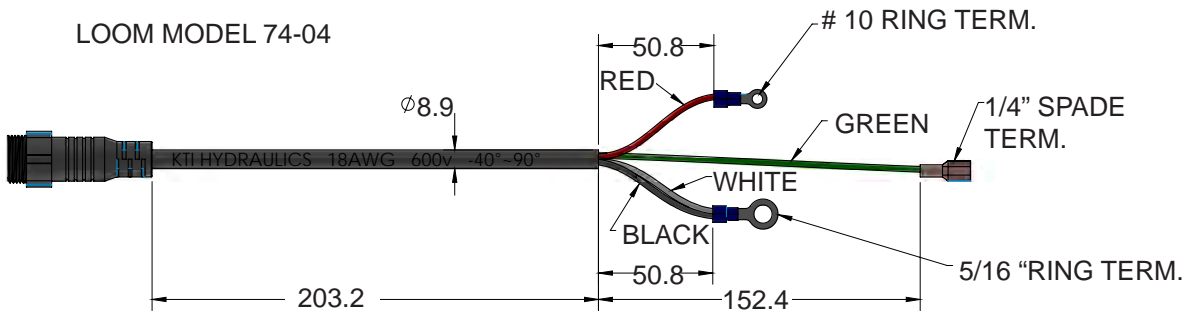


SINGLE ACTING

2W2P USING INTEGRAL VALVE

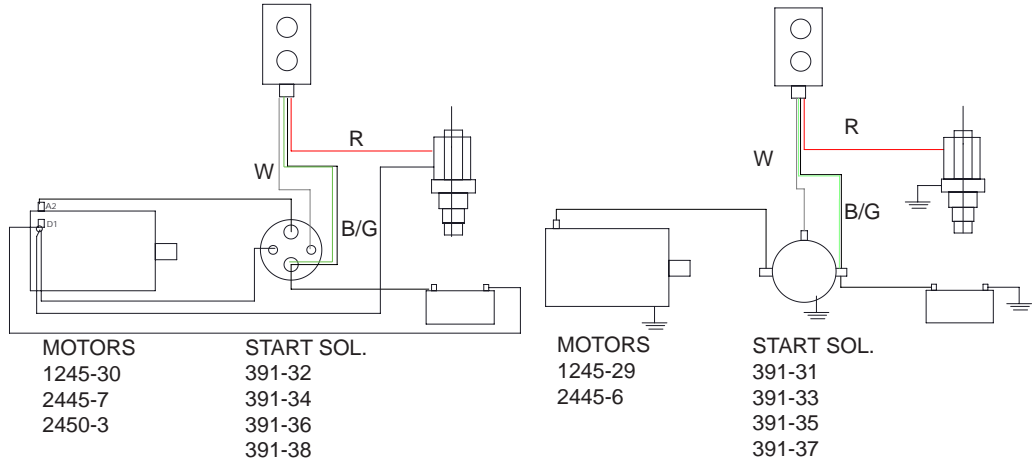
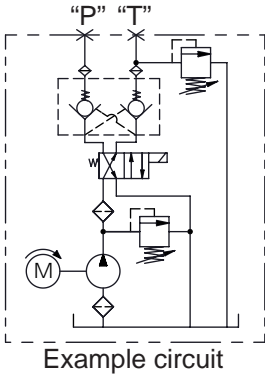


LOOM MODEL 74-04

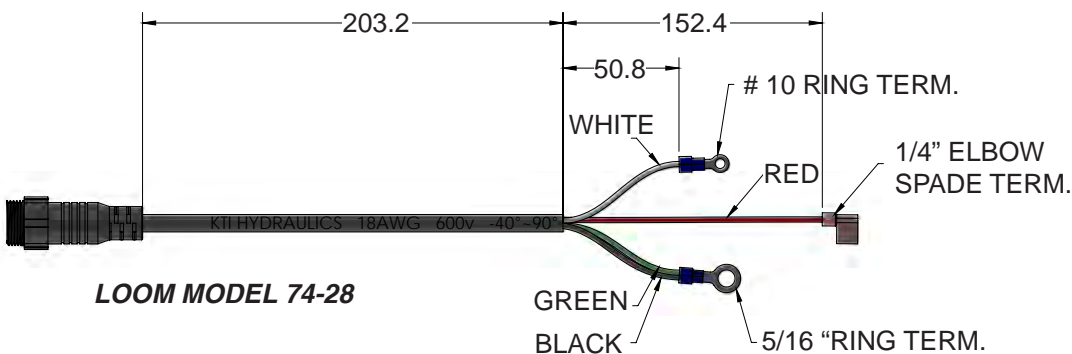


DOUBLE ACTING

4W2P USING INTEGRAL VALVES

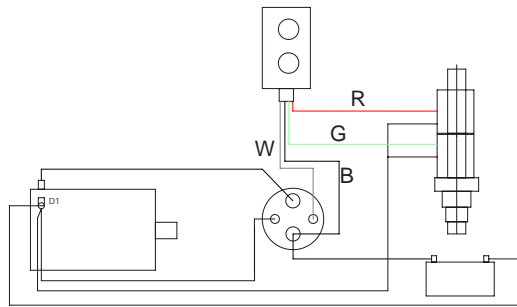
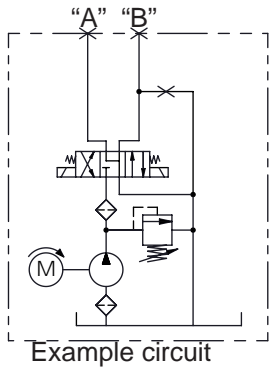


LOOM MODEL 74-28



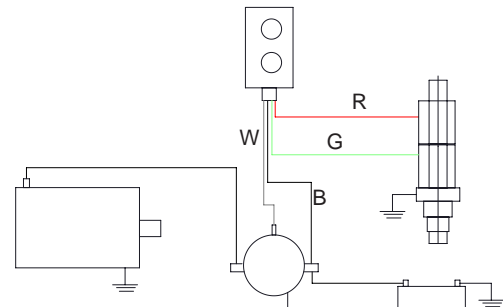
DOUBLE ACTING

4W3P USING INTEGRAL VALVES



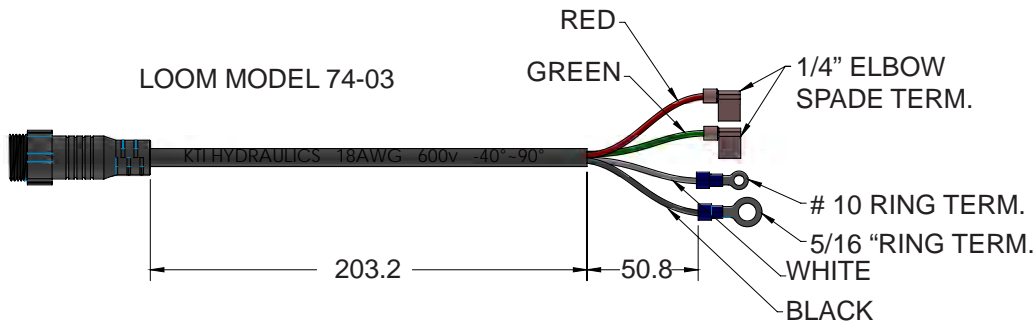
MOTORS
1245-30
2445-7
2450-3

START SOL.
391-32
391-34
391-36
391-38

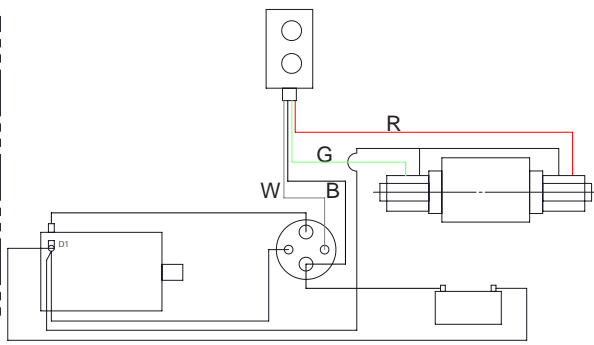
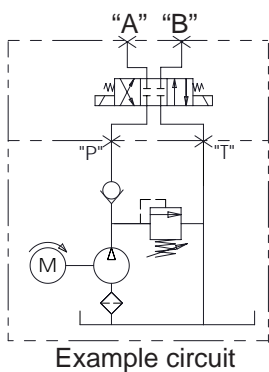


MOTORS
1245-29
2445-6

START SOL.
391-31
391-33
391-35
391-37

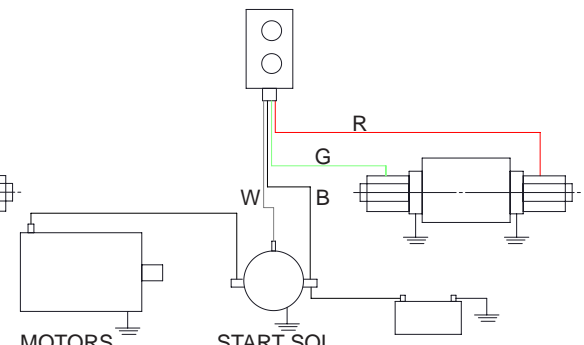


4W3P USING CETOP VALVES



MOTORS
1245-30
2445-7
2450-3

START SOL.
391-32
391-34
391-36
391-38



MOTORS
1245-29
2445-6

START SOL.
391-31
391-33
391-35
391-37

