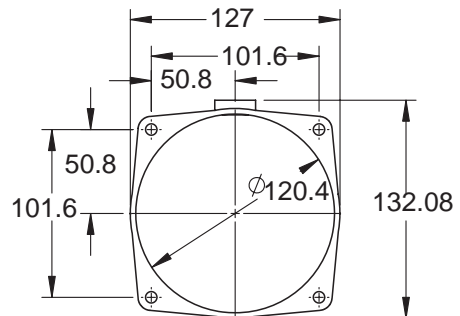
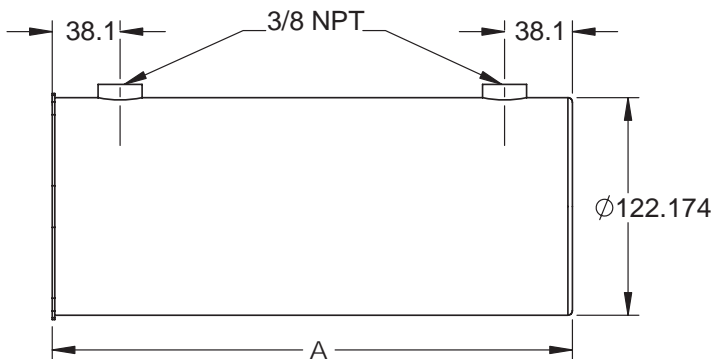


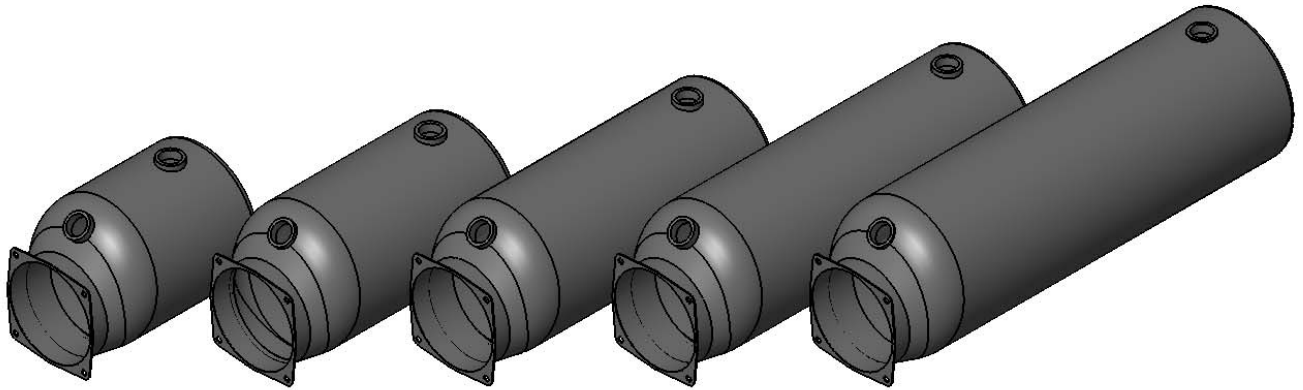
FEATURES

- Manufactured by using a deep drawn steel process
- Up to 4 litre useable
- Supplied breather includes oil level dipstick
- Black powder coat finish

SPECIFICATIONS

Build Code	Model	Useable Volume (lt)	A Length (mm)
B	8080-21-K	1.5	159
C	8080-2-K	2	213
D	8080-3-K	3	292
E	8080-4-K	4	378



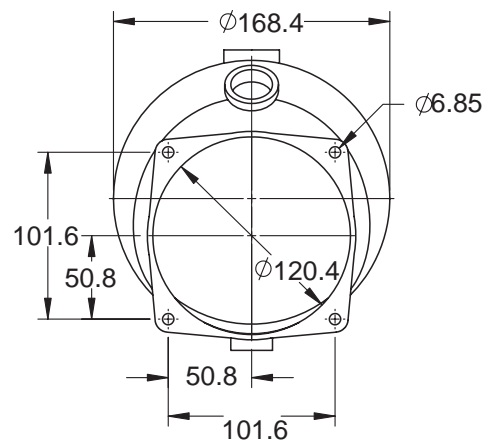
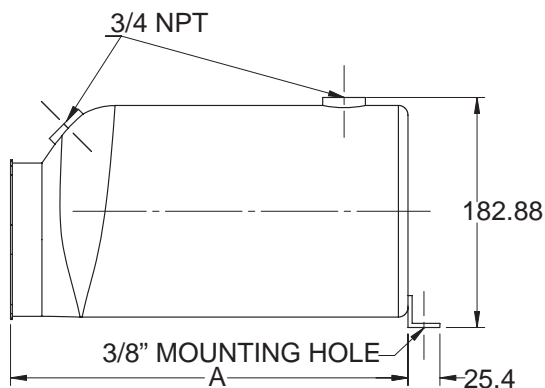


FEATURES

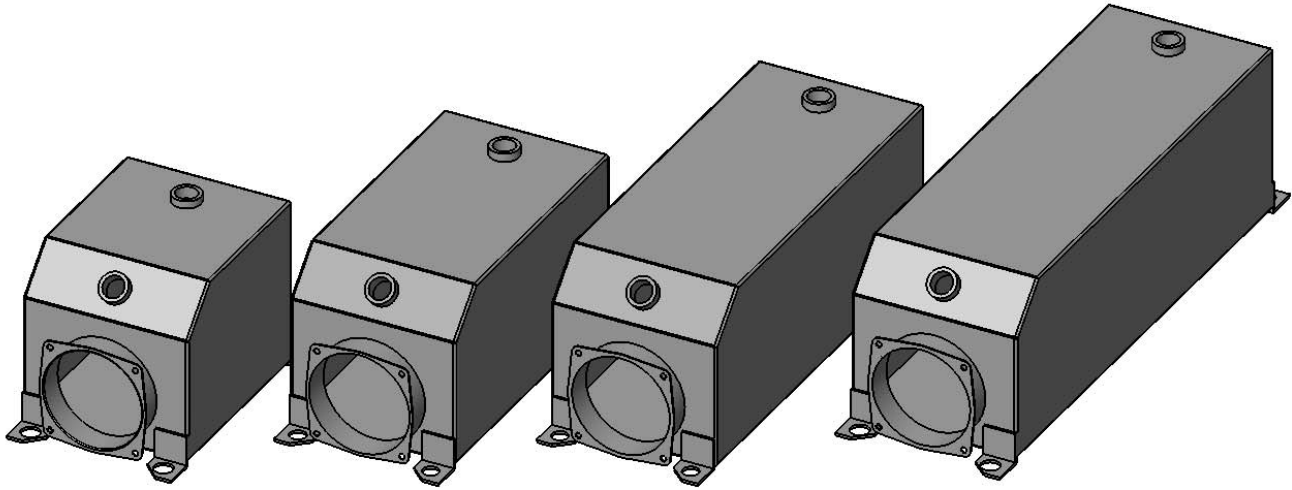
- Offset design
- Up to 12 litre useable
- Supplied breather includes oil level dipstick
- Black powder coat finish

SPECIFICATIONS

Build Code	Model	Useable Volume (lt)	A Length (mm)
F	8080-5-K	4	232
G	8080-6-K	6	318
H	8080-8-K	8	403
J	8080-10-K	10	489
K	8080-12-K	12	575



* SHIMMING MAY BE REQUIRED ON MOUNT TABS FOR ALIGNMENT ON INSTALLATION

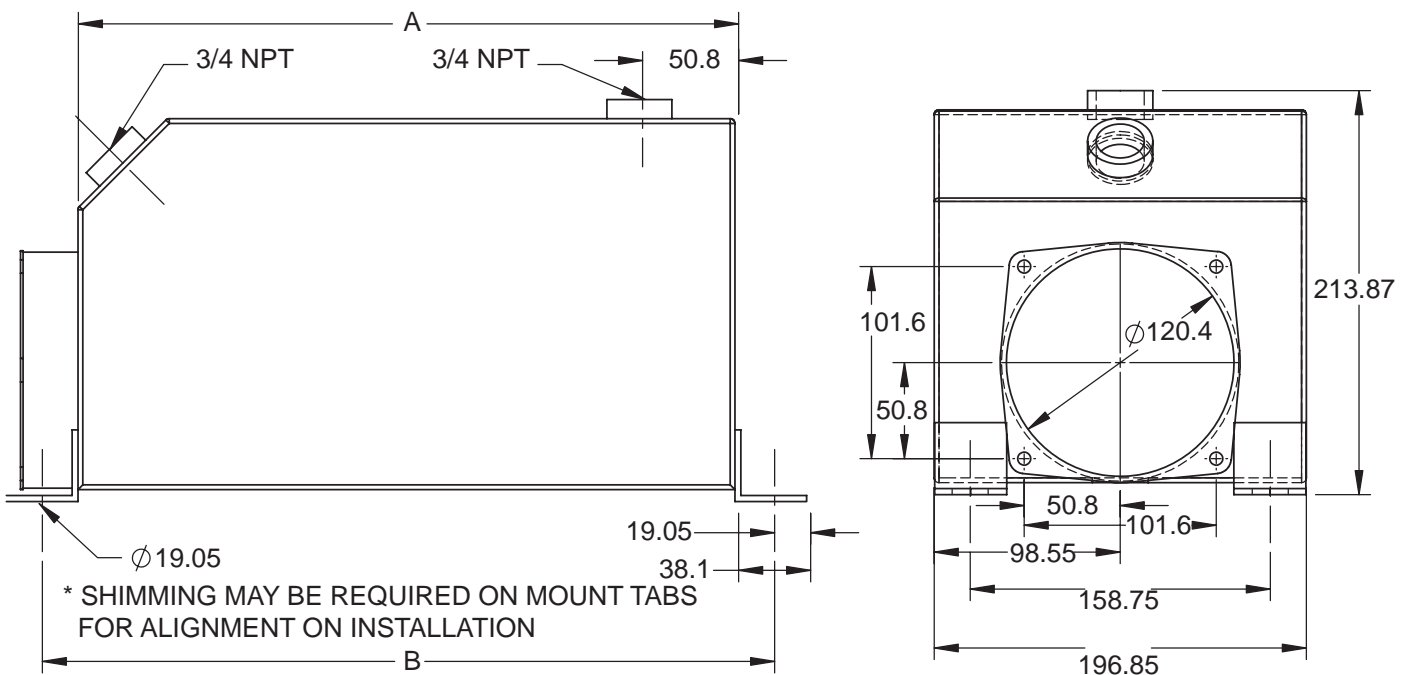


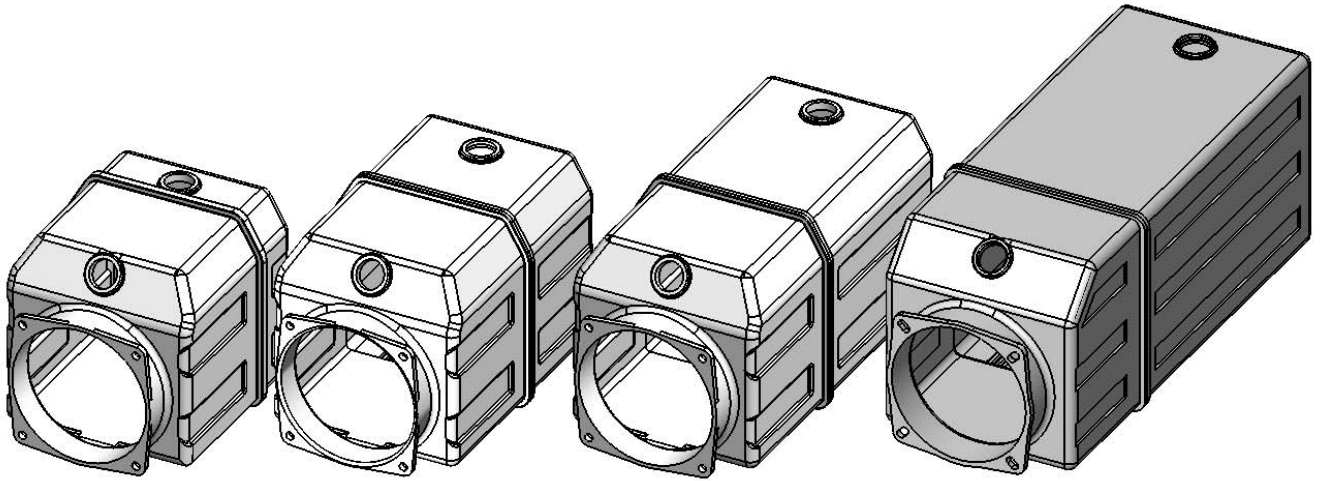
FEATURES

- Up to 20 litre useable
- Supplied breather includes oil level dipstick
- Black powder coat finish
- Front and rear mounting tabs on all models

SPECIFICATIONS

Build Code	Model	Useable Volume (lt)	A Length (mm)	B Length (mm)
L	8080-8-S-K	8	235	273
M	8080-13-K	12	349	387
N	8080-16-K	16	470	508
P	8080-20-K	20	581	619





FEATURES

- High impact plastic
- Oil level visible at all times
- Up to 14 litre useable
- Supplied breather includes oil level dipstick
- Lightweight
- Rear mounting tabs available on request

SPECIFICATIONS

Build Code	Model	Useable Volume (lt)	A Length (mm)
Q	8181-35-K	3	203
R	8181-5-K	4	267
S	8181-6-K	6	337
T	8282-8-K	8	440
U	8282-10-K	10	632
V	8181-14-K	14	699

