



PA010



PA019



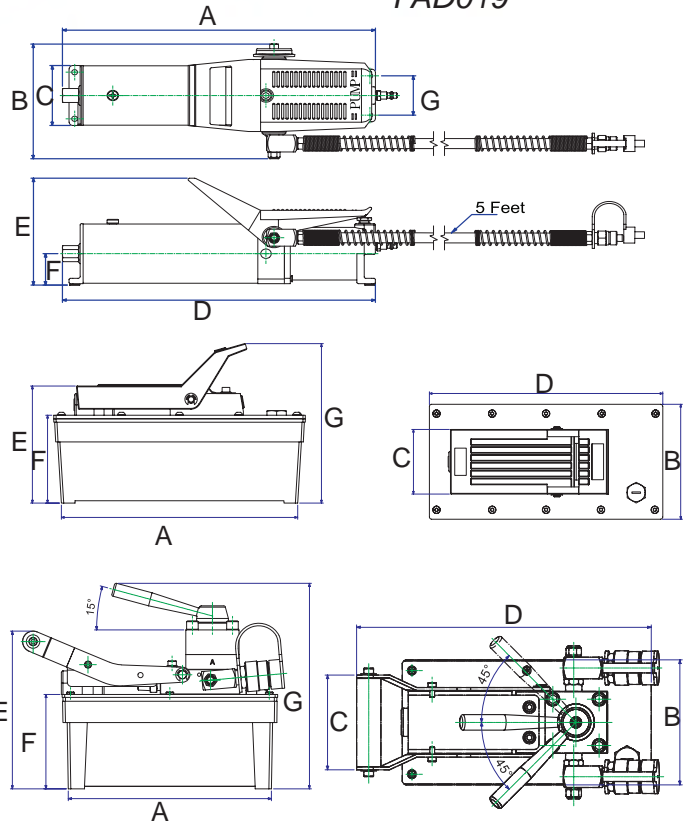
PAD019

**MODEL: PA-SERIES**

- Single and Double acting models
- Maximum working pressure : 10,000 psi / 700 Bar

**FEATURES**

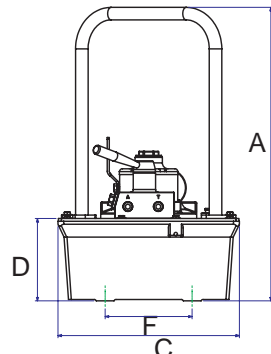
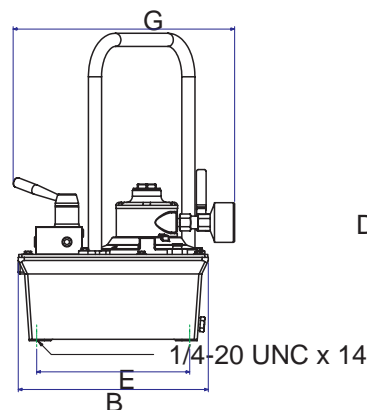
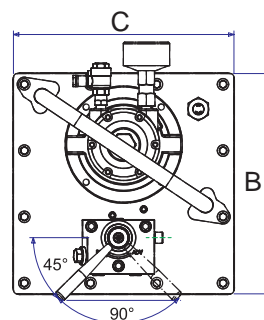
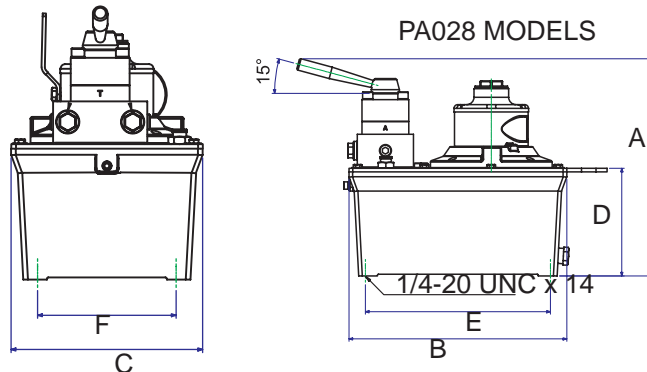
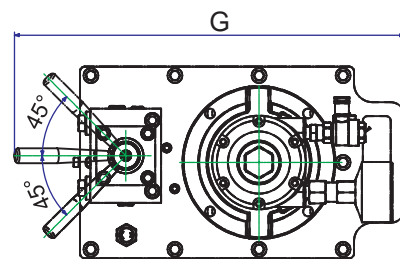
- PA models are designed to be used with standard single acting cylinders
- PAD models are designed to be used with double acting cylinders
- Built in carry handle on PAD models
- Internal relief valves all set at 700 bar (10,000 psi) for full circuit protection
- Aluminium reservoirs on all models


**SPECIFICATIONS**

Model	Valve type	Function	Control	Oil delivery (cc) 0 bar	Oil delivery (cc) 700 bar
PA010	Single Acting	2 way - Advance/Hold/Retract	Foot	700	100
PA019	Single acting	2 way - Advance/Hold/Retract	Foot	1250	193
PAR019	Single Acting	2 way - Advance/Hold/Retract	Remote	1250	193
PA019-3	Single Acting	2 way - Advance/Hold/Retract	Foot	1250	193
PA019-8	Single Acting	2 way - Advance/Hold/Retract	Foot	1250	193
PAD019	Double Acting	3 position 4 way Double Acting	Foot/Hand	1250	193
PAD019-3	Double Acting	3 position 4 way Double Acting	Foot/Hand	1250	193
PAD019-8	Double Acting	3 position 4 way Double Acting	Foot/Hand	1250	193

Model	Input air pressure (bar)	Air consumption (cfm)	Oil Cap. (cc)	Useable Oil (cc)	A (mm)	B (mm)	C (mm)	D (mm)	E (mm)	F (mm)	G (mm)	Weight (kg)
PA010	7-10	9	850	750	423	170	70	399	160	47	59	5.4
PA019	7-10	9	1600	1300	242	129	90	257	151	113	205	7.3
PAR019	7-10	9	1600	1300	242	129	90	257	151	113	205	8.5
PA019-3	7-10	9	3000	2500	309	160	98	325	151	114	245	9.3
PA019-8	7-10	9	8000	2500	312	312	90	312	184	146	238	14
PAD019*	7-10	9	1600	1300	242	129	98	304	188	113	205	9.1
PAD019-3*	7-10	9	3000	2500	309	160	98	343	189	114	245	12
PAD019-8*	7-10	9	8000	2500	312	312	98	312	221	146	278	17

\* Suitable for both Single and Double Acting Cylinders.



**MODEL: PA-SERIES**

- Single and Double acting models
- Two speed pump
- Maximum working pressure : 10,000 psi / 700 Bar

**FEATURES**

- PA models are designed to be used with standard single acting cylinders
- PAD models are designed to be used with double acting cylinders
- Available in 3 and 8 litre reservoirs
- Internal relief valves all set at 700 bar (10,000 psi) for full circuit protection.
- Aluminium reservoirs on all models

**SPECIFICATIONS**

Model	Reservoir Cap (c.c)	Reservoir Useable (c.c)	Motor	Oil delivery (cc) 0 bar	Oil delivery (cc) 7 bar	Oil delivery (cc) 350 bar	Oil delivery (cc) 700 bar
PA26 series	3000	2400	2.1kw 1/2 NPT ports	4000	2800	330	280
PA26-8 series	8000	7200	2.1kw 1/2 NPT ports	4000	2800	330	280

Model	Valve function	Valve Control	A (mm)	B (mm)	C (mm)	D (mm)	E (mm)	F (mm)	G (mm)	Weight (kg)
PA028	2 Way 2 Position	Manual	287	295.5	206.5	146.2	251	149.4	350	18.7
PA026-8	2 Way 2 Position	Manual	504	312	312	141.5	251	149.4	363	20
PAD026*	4 Way 3 Position	Manual	295	295.5	206.5	146.2	251	149.4	421	18.7
PAD026-8*	4 Way 3 Position	Manual	504	312	312	141.5	251	149.4	408	20

\* Suitable for both Single and Double Acting Cylinders.