



Meets or exceeds
ASME B30.1

MODEL: C-SERIES

- Single Acting - Spring Return
- Capacity : 5 - 100 Ton
- Stroke : 25mm - 362mm
- Maximum working pressure : 10,000 psi / 700 Bar

FEATURES

- Single Acting with spring return
- Hard chrome plated piston rod
- Cylinder bore is roller burnished for extended life
- Cylinder body fully nitrided and painted for rust protection

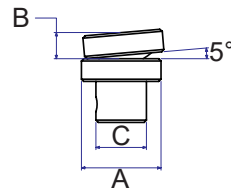
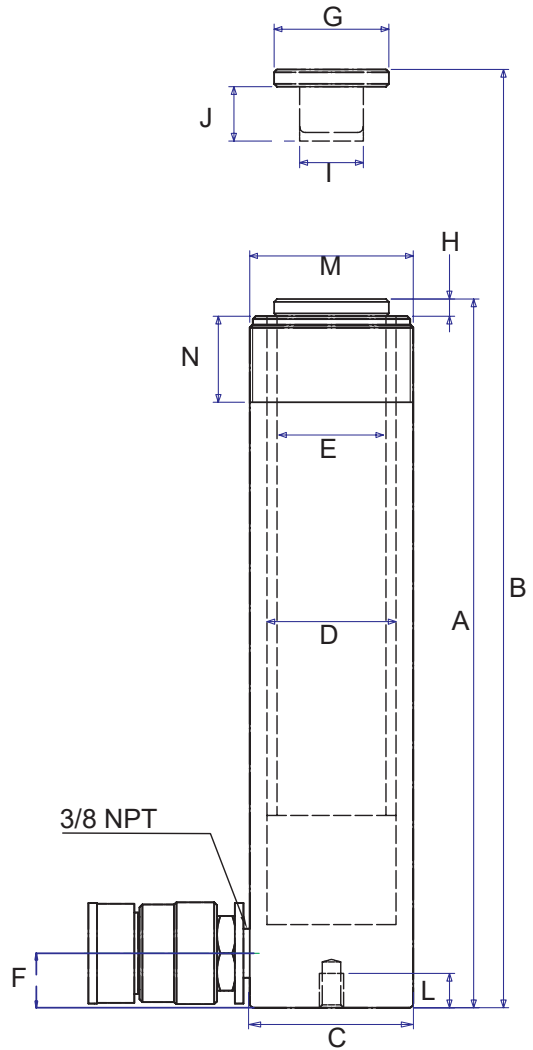
ACCESSORIES

Model	A	B	C
SC10	40	11.5	22.2
SC25	50	14	36.3

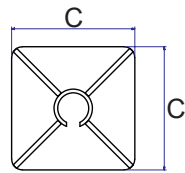
Model	A	B	C	D
BM10	9	10	123	58
BM25	16	16	128	89

Model	A	B	C	D	E	F
PC5	28	11.5	14	16	16	25
PC10	43	59	25	22.3	25	34
PC15	43	62	25	22.3	25	37
PC25	57	74	38	31.8	31	43

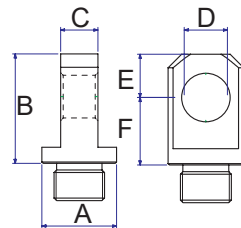
Model	A	B	C	D	E	F
BC5	44	48	14	16	16	25
BC10	63	67	25	22.3	25	35
BC15	76	67	25	22.3	25	35
BC25	95	79	38	31.8	31	41



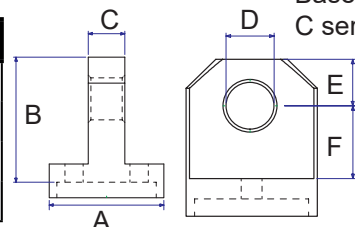
Swivel cap - SC
C series 10-25T



Base mount - BM
C series 10-25T



Piston Clevis - PC
C series 5-25T



Base Clevis - BC
C series 5-25T

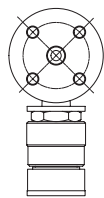
SPECIFICATIONS

Model	Cap. Ton	Stroke mm	Oil Cap (cm ³)	A		C Ømm	D Ømm	E Ømm	F mm	G mm	H mm	I ØUN	J mm	L mm	M ØUN	N mm	Weight (kgs)
				Retracted Height mm	Extended Height mm												
C51	5	26	17	110	136	38	29	25	19	25	6	3/4"-16	14	14	1 1/2"-16	28	1
C53	5	76	54	165	241	38	30	25	19	25	6	3/4"-16	14	14	1 1/2"-16	28	2
C55	5	127	90	216	343	38	30	25	19	25	6	3/4"-16	14	14	1 1/2"-16	28	2
C57	5	183	129	273	456	38	30	25	19	25	6	3/4"-16	16	14	1 1/2"-16	28	2
C59	5	232	164	324	556	38	30	25	19	25	6	3/4"-16	16	14	1 1/2"-16	28	3
C101	10	25	37	90	115	57	43	38	19	-	-	#10-24	6.5	13	2 1/4"-14	30	2
C102	10	51	73	121	172	57	43	38	19	40	6	1"-8	19	13	2 1/4"-14	30	5
C104	10	101	145	171	272	57	43	38	19	40	6	1"-8	19	13	2 1/4"-14	30	3
C106	10	153	242	247	400	57	45	38	19	40	6	1"-8	19	13	2 1/4"-14	30	4
C108	10	204	323	298	502	57	45	38	19	40	6	1"-8	19	13	2 1/4"-14	30	5
C1010	10	256	406	350	606	57	45	38	19	40	6	1"-8	19	13	2 1/4"-14	30	6
C1012	10	306	486	400	706	57	45	38	19	40	6	1"-8	19	13	2 1/4"-14	30	7
C1014	10	357	567	451	808	57	45	38	19	40	6	1"-8	19	13	2 1/4"-14	30	8
C151	15	27	63	124	151	73	55	40	19	38	10	1"-8	25.4	13	2 3/4"-16	30	3
C152	15	53	125	150	202	73	55	40	19	38	10	1"-8	25.4	13	2 3/4"-16	30	4
C154	15	103	243	200	303	73	55	40	19	38	10	1"-8	25.4	13	2 3/4"-16	30	5
C156	15	153	363	272	425	73	55	40	25	38	10	1"-8	25.4	13	2 3/4"-16	30	7
C158	15	204	483	322	526	73	55	40	25	38	10	1"-8	25.4	13	2 3/4"-16	30	8
C1510	15	255	604	373	628	73	55	40	25	38	10	1"-8	25.4	13	2 3/4"-16	30	10
C1512	15	305	724	424	729	73	55	40	25	38	10	1"-8	25.4	13	2 3/4"-16	30	11
C1514	15	356	845	475	830	73	55	40	25	38	10	1"-8	25.4	13	2 3/4"-16	30	12
C251	25	26	98	140	165	88	70	55	25	50	11	1 1/2"-16	25.4	19	3 5/16"-12	50	6
C252	25	51	196	165	216	88	70	55	25	50	11	1 1/2"-16	25.4	19	3 5/16"-12	50	6
C254	25	102	392	216	318	88	70	55	25	50	11	1 1/2"-16	25.4	19	3 5/16"-12	50	8
C256	25	159	610	273	432	88	70	55	25	50	11	1 1/2"-16	25.4	19	3 5/16"-12	50	10
C258	25	210	806	324	534	88	70	55	25	50	11	1 1/2"-16	25.4	19	3 5/16"-12	50	12
C2510	25	261	1002	375	636	88	70	55	25	50	11	1 1/2"-16	25.4	19	3 5/16"-12	50	14
C2512	25	311	1196	426	737	88	70	55	25	50	11	1 1/2"-16	25.4	19	3 5/16"-12	50	16
C2514	25	362	1391	476	838	88	70	55	25	50	11	1 1/2"-16	25.4	19	3 5/16"-12	50	18
C308	30	210	925	388	597	103	75	60	57	50	11	1 1/2"-16	25.4	-	4"-12	50	18
C502	50	51	361	177	228	127	95	80	33	70	3	-	-	19	5"-12	55	15
C504	50	102	719	229	331	127	95	80	33	70	3	-	-	19	5"-12	55	19
C506	50	158	1116	283	441	127	95	80	33	70	3	-	-	19	5"-12	55	23
C5013	50	336	2377	461	797	127	95	80	33	70	3	-	-	19	5"-12	55	38
C756	75	155	1752	285	440	152	120	95	30	70	3	-	-	-	5 3/4"-12	45	30
C7513	75	334	3770	491	825	152	120	95	30	70	3	-	-	-	5 3/4"-12	45	59
C1006	100	170	2432	358	528	177	135	105	40	70	3	-	-	25	6 7/8"-12	45	59
C10010	100	260	3720	448	708	177	135	105	40	70	3	-	-	25	6 7/8"-12	45	73

BASE HOLE DIMENSIONS



C5-C50 Series



C100 Series

Cyl ton	No Holes	Thread UNC	B.C. Ø mm
5	2	1 1/4"-20	25
10	2	5/16"-18	39
15	2	3/8"-16	48
25	2	1/2"-13	58
50	2	1/2"-13	95
100	4	3/4"-10	139