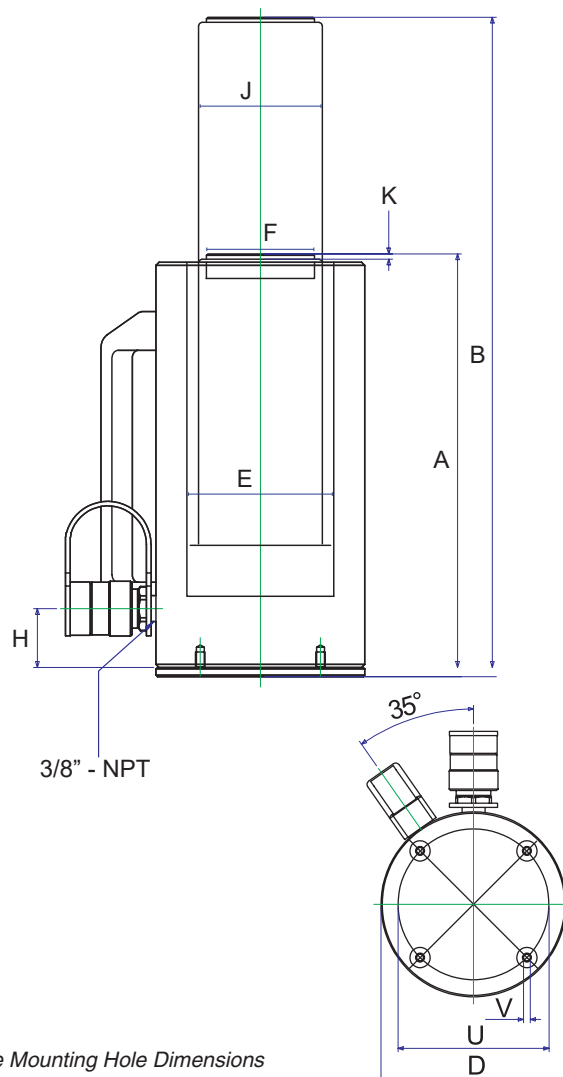




Meets or exceeds  
ASME B30.1



## MODEL: CA-SERIES

- Single Acting - Spring Return
- Capacity : 20 - 100 Ton
- Stroke : 50mm - 250mm
- Maximum working pressure : 10,000 psi / 700 Bar

## FEATURES

- Up to half the weight of comparative steel cylinders
- Large bearing surface for side load protection
- Carry handle standard on all models
- Hard anodised coating reduces wear and corrosion
- Heavy duty spring for faster return
- Internal stop ring allows cylinder to withstand full dead end load
- Rod wiper protects cylinder against contamination

## SPECIFICATIONS

Base Plate Mounting Hole Dimensions

Model series	U (mm)	V (mm)
CA20	70	M6 x 1.0
CA30	80	M6 x 1.0
CA50	110	M6 x 1.0
CA100	160	M6 x 1.0

Model	Cap. Ton	Stroke (mm)	Oil Cap. (cc)	A (mm)	B (mm)	Ø D (mm)	Ø E (mm)	Ø F (mm)	H (mm)	Ø J (mm)	K (mm)	Weight (kgs)
CA202	20	50	166	174	224	92	65	55	25	40	3	4.3
CA204	20	100	332	224	324	92	65	55	25	40	3	5
CA206	20	150	498	274	424	92	65	55	25	40	3	5.7
CA208	20	200	664	324	524	92	65	55	25	40	3	6.5
CA302	30	50	221	181	231	110	75	60	25	40	3	6
CA304	30	100	442	231	331	110	75	60	25	40	3	6.9
CA306	30	150	663	281	431	110	75	60	25	40	3	7.9
CA308	30	200	884	331	531	110	75	60	25	40	3	8.8
CA502	50	50	354.5	171	221	135	95	80	24	70	3	5.9
CA504	50	100	709	221	321	135	95	80	24	70	3	7.7
CA506	50	150	1063.5	271	421	135	95	80	24	70	3	12.7
CA5010	50	250	1772.5	374	624	135	95	80	24	70	3	16.4
CA1002	100	50	715.5	171	221	198	135	105	25	70	3	18.2
CA1004	100	100	1431	221	321	198	135	105	25	70	3	20.5
CA1006	100	150	2146.5	271	421	198	135	105	25	70	3	22.7
CA10010	100	250	3577.5	374	624	198	135	105	25	70	3	30.9