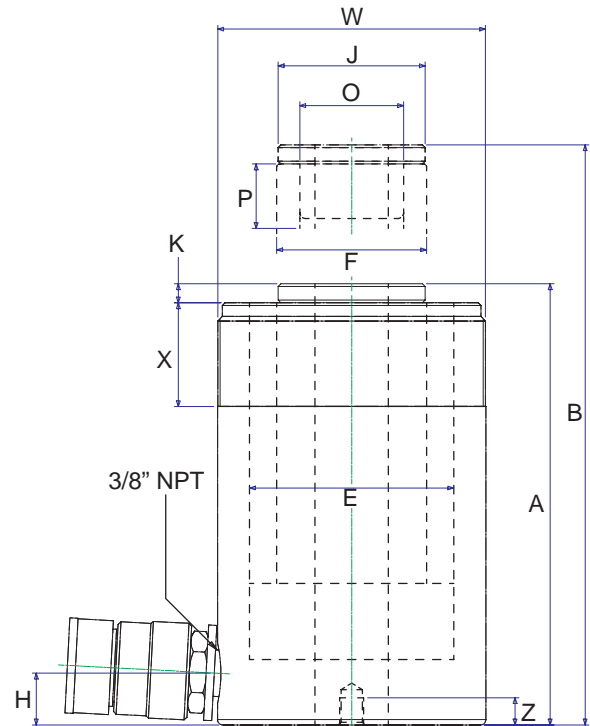




Meets or
exceeds
ASME B30.1



MODEL: CH-SERIES

- Single Acting - Hollow Centre
- Capacity : 12 - 100 Ton
- Stroke : 8mm - 160mm
- Maximum working pressure : 10,000 psi / 700 Bar

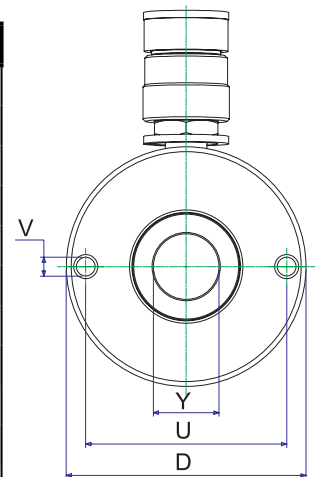
FEATURES

- Single Acting with spring return
- Hard chrome plated piston rod
- Cylinder body fully nitrided and painted for rust protection
- Roller burnished cylinder bore
- Angled coupling for ease of connection

SPECIFICATIONS

Base Plate Mounting Hole Dimensions

Model	U (mm)	Ø V (UN)
CH120	50.8	5/16" - 18
CH121	50.8	5/16" - 18
CH1211 *	50.8	5/16" - 18
CH123	50.8	5/16" - 18
CH202	82.6	3/8" - 16
CH206	82.6	3/8" - 16
CH302	92	3/8" - 16
CH306	92	3/8" - 16
CH603	130	1/2" - 13
CH606	130	1/2" - 13
CH1003	178	5/8" - 11



Model	Cap. Ton	Stroke (mm)	Oil Cap. (cc)	A Retracted Height (mm)	B Extended Height (mm)	Ø D (mm)	Ø E (mm)	Ø F (mm)	H (mm)	Ø J (mm)	K (mm)	Ø O (UN)	P (mm)	Z (mm)	Ø W (UN)	X (mm)	Y Centre Hole Ø (mm)	Weight (kg)
CH120	12	8	14.8	60	68	73	54.1	35	12.5	-	-	3/4" - 16	16	9	2 3/4" - 16	33	19.5	1.5
CH121	12	42	79	120	162	73	55	35	19	-	-	-	-	12.7	2 3/4" - 16	33	19.5	3
CH1211 *	12	42	79	120	162	73	55	35	19	-	-	3/4" - 16	16	12.7	2 3/4" - 16	33	19.5	3
CH123	12	76	143.2	184	260	73	55	35	19	-	-	-	-	12.7	2 3/4" - 16	33	19.5	4.2
CH202	20	51	173	162	213	98.5	75	55	19	54	7	9/16" - 16	25	9.4	3 3/8" - 12	38	27	7.5
CH206	20	155	527	306	461	98.5	75	55	19	54	7	9/16" - 16	25	9.4	3 3/8" - 12	38	27	13.5
CH302	30	65	310	178.5	243.5	117	90	65	21.5	59.9	0.5	1 1/8" - 16	25	14	4 1/2" - 12	42	34	11
CH306	30	160	763	330	490	117	90	65	21.5	59.9	0.5	1 1/8" - 16	25	14	4 1/2" - 12	42	34	20.4
CH603	60	76	680	247.5	323.5	158.6	125	90	32	89	12.5	2 3/4" - 16	25	14	6 1/4" - 12	50	54	26.4
CH606	60	152	1360	323.5	475.5	158.6	125	90	32	89	12.5	2 3/4" - 16	25	14	6 1/4" - 12	50	54	34
CH1003	100	76	1085	254	330	213	165	125	38	125	12	4" - 16	30	19	8 3/8" - 12	60	79	50.1

* Threaded Collar