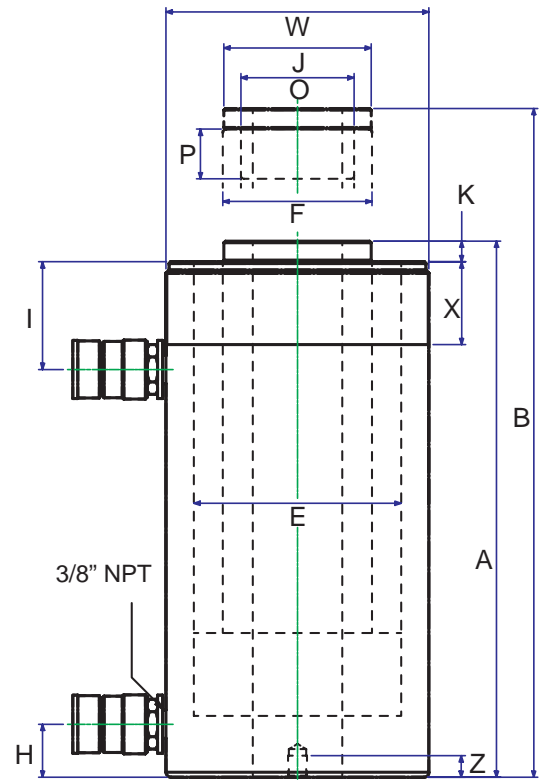




Meets or exceeds
ASME B30.1



MODEL: CHD-SERIES

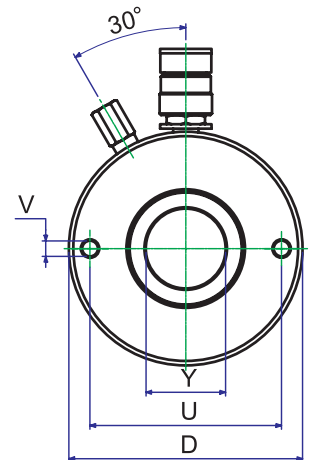
- Double Acting - Hollow Centre
- Capacity : 30 - 100 Ton
- Stroke : 76mm - 257mm
- Maximum working pressure : 10,000 psi / 700 Bar

FEATURES

- Double Acting Cylinder
- Hard chrome plated piston rod
- Cylinder body fully nitrided and painted for rust protection
- Roller burnished cylinder bore
- Retract relief valve installed to protect against pressure intensification

Base Plate Mounting Hole Dimensions

Model	U (mm)	Ø V (UNC)
CHD307	92	3/8" - 16
CHD3010	92	3/8" - 16
CHD603	130	1/2" - 13
CHD606	130	1/2" - 13
CHD6010	130	1/2" - 13
CHD1003	178	5/8" - 11
CHD1006	178	5/8" - 11
CHD10010	178	5/8" - 11



SPECIFICATIONS

Model	Cap. Ton Push / Pull	Stroke (mm)	Oil Cap. (cc) Push / Pull	A Retract Height (mm)	B Extend Height (mm)	Ø D (mm)	Ø E (mm)	Ø F (mm)	H (mm)	I (mm)	Ø J (mm)	K (mm)	Ø O (UN)	P (mm)	Z (mm)	Ø W (UN)	X (mm)	Y Centre Hole Ø (mm)	Weight (kg)
CHD307	30 / 21	178	849 / 541	330	508	117	90	65	21.5	60.5	59.5	0.5	1 1/8" - 16	25	14	4 1/2" - 12	42	34	22
CHD3010	30 / 21	257	1226 / 782	431	688	117	90	65	21.5	60.5	59.5	10	1 1/8" - 16	25	14	4 1/2" - 12	42	34	27
CHD603	60 / 41	89	797 / 526	247.5	336.5	158.6	125	90	32	65	89	12.5	2 3/8" - 16	25	14	6 1/4" - 12	50	54	28
CHD606	60 / 41	165	1477 / 975	232.5	488.5	158.6	125	90	32	65	89	12.5	2 3/8" - 16	25	14	6 1/4" - 12	50	54	35
CHD6010	60 / 41	257	2300 / 1518	437.5	694.5	158.6	125	90	32	65	89	12.5	2 3/8" - 16	25	14	6 1/4" - 12	50	54	45
CHD1003	100 / 64	76	1086 / 692	254	330	213	165	125	38	82	125	12	4" - 16	30	19	8 3/8" - 12	60	79	52
CHD1006	100 / 64	152	2172 / 1384	325	477	213	165	125	38	82	125	12	4" - 16	30	19	8 3/8" - 12	60	79	65
CHD10010	100 / 64	256	3656 / 2331	462	718	213	165	125	38	82	125	12	4" - 16	30	19	8 3/8" - 12	60	79	88