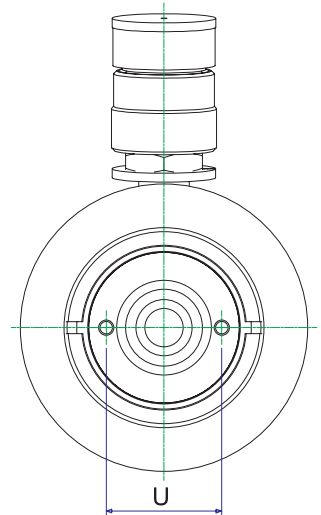
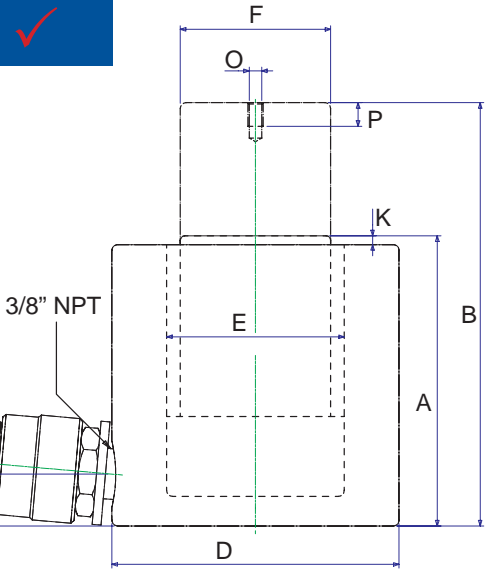




Meets or exceeds  
ASME B30.1



## MODEL: CM-SERIES

- Single Acting - Mid Profile
- Capacity : 10 - 100 Ton
- Stroke : 38mm - 62mm
- Maximum working pressure : 10,000 psi / 700 Bar

## FEATURES

- Single Acting with spring return
- Hard chrome plated piston rod
- Cylinder body fully nitrided and painted for rust protection
- Roller burnished cylinder bore
- Angled coupling for ease of connection

## SPECIFICATIONS

Model	Cap. Ton	Stroke (mm)	Oil Cap. (cc)	A Retracted Height (mm)	B Extended Height (mm)	D (mm)	Ø E (mm)	Ø F (mm)	H (mm)	K (mm)	O (mm)	U (mm)	P (mm)	Weight (kg)
CM101	10	38	55	88	126	78	42.8	38	17.5	5	M4	26	8	4.1
CM201	20	45	127	98	143	97	60	50.8	17.5	3	M5	39	9	5
CM302	30	62	274	117	179	107	75	63.5	19	3	M5	39	8	6.8
CM502	50	60.5	429	122	182	207	95	70	19	2	M5	39	8	10.9
CM1002	100	58	830	141.5	199.5	165	135	92	19	1.5	M6	55	10	22.7