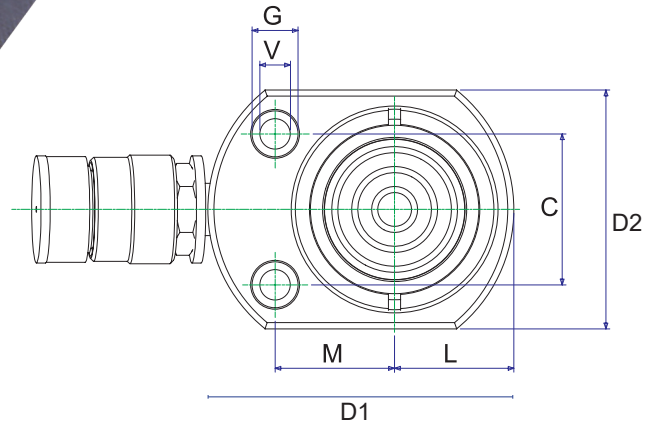


Meets or exceeds  
ASME B30.1



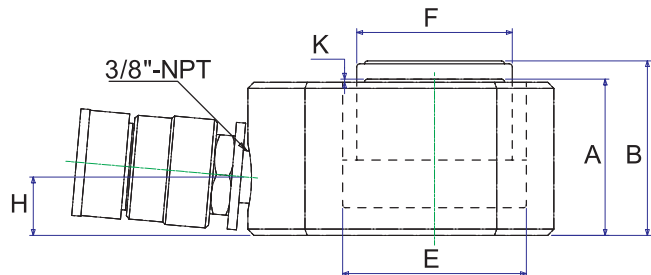
**MODEL: CP-SERIES**

- Single Acting - Low Profile
- Capacity : 5 - 150 Ton
- Stroke : 6mm - 16mm
- Maximum working pressure : 10,000 psi / 700 Bar



**FEATURES**

- Single Acting with spring return
- Hard chrome plated piston rod
- Cylinder body fully nitrided and painted for rust protection
- Roller burnished cylinder bore
- Angled coupling for ease of connection



**SPECIFICATIONS**

Model	Cap. Ton	Stroke (mm)	Oil Cap. (cc)	A Retracted Height (mm)	B Extended Height (mm)	C (mm)	D1   D2 (mm)	Ø E (mm)	Ø F (mm)	Ø G (mm)	M (mm)	H (mm)	K (mm)	L (mm)	Ø V (mm)	Weight (kg)
CP50	5	6	4.5	33	28.5	28.5	58.5   44	31	25.4	9.5	22	16	1	22	5.3	1
CP100	10	12	18	42	36.5	36.5	82.5   60	44	38	11	34	19	1	30	7.5	1.4
CP200	20	12	34	51	49.3	49.3	100   78	60	50.8	15	39	19	1	39	10	3.1
CP300	30	13	54	58	52.3	52.3	117.5   95	73	63.5	16	47.5	19	2	47.5	10	4.5
CP500	50	16	113	66	66.5	66.5	145   115	95	70	19	58	19	2	57.5	11	6.8
CP750	75	16	180	79	76.2	76.2	170   145	120	82.5	20.5	70	19	2	72.5	13.5	11.3
CP1000	100	16	229	85	76.2	76.2	185   160	135	92	20.5	78	19	2	80	13.5	14.5
CP1500	150	17	363	100	117	117	225   195	165	115	20.5	85	23	2	97.5	13.5	26.3