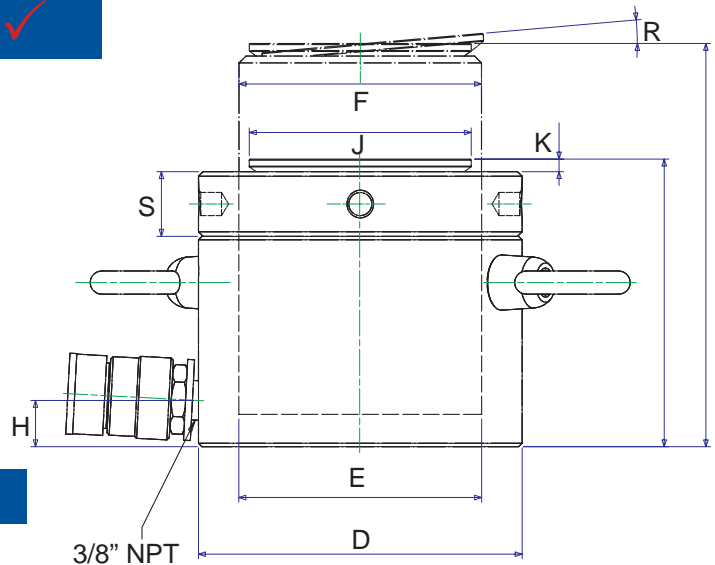




Meets or
exceeds
ASME B30.1

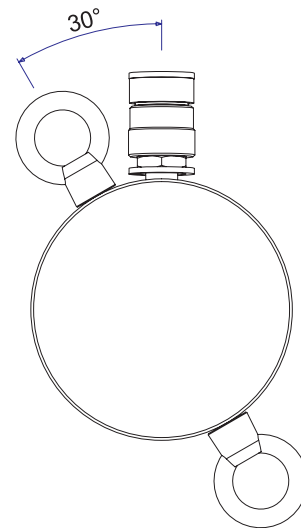


MODEL: CPL-SERIES

- Single Acting - Spring Return - Lock Nut
- Capacity : 60 - 500 Ton
- Stroke : 45mm - 50mm
- Maximum working pressure : 10,000 psi / 700 Bar

FEATURES

- Single Acting Cylinder
- Hard chrome plated piston rod
- Overflow port to prevent over extending piston
- Lock nut for safe mechanical load holding
- Low retracted height for use in confined spaces
- Angled coupling for ease of connection



SPECIFICATIONS

Model	Cap. Ton	Stroke (mm)	Oil Cap. (cc)	A Retracted Height (mm)	B Extended Height (mm)	Ø D (mm)	Ø E (mm)	F Lock Nut Thread (mm)	H (mm)	Ø J (mm)	K (mm)	R °	S (mm)	Weight (kg)
CPL602	60	50	433	125	175	140	105	105 x 6	20	96	6	5	28	15
CPL1002	100	50	715	137	187	175	135	135 x 6	21	126	8	5	31	26
CPL1502	150	45	963	148	193	220	165	165 x 6	27	150	9	5	40	44
CPL2002	200	45	1273.5	155	200	245	190	190 x 6	30	180	10	5	43	57
CPL2502	250	45	1633	159	204	275	2515	265 x 6	32	200	11	5	44	74
CPL4002	400	45	2574	178	223	350	270	270 x 6	39	250	11	5	55	134
CPL5002	500	45	3179	192	237	400	300	300 x 6	48	285	10	5	62	189