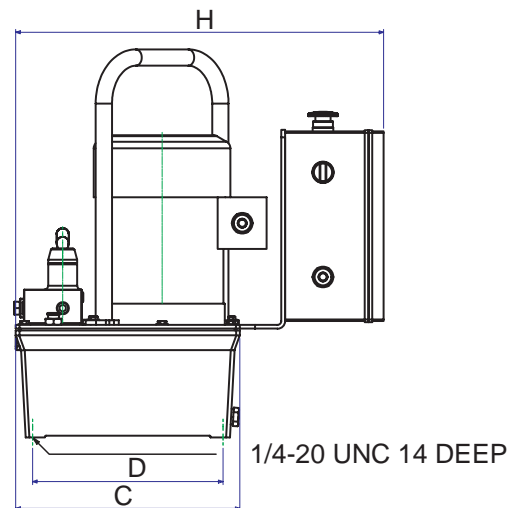


MODEL: PE026-SERIES

- Single and Double acting models
- Two speed pump design
- Maximum working pressure : 10,000 psi / 700 Bar

FEATURES

- 1/2 HP (0.45kw) brushless motor
- 3m pendant supplied with all models
- Thermal protected induction motor
- Starts under full load
- Internal relief valves all set at 700 bar (10,000 psi) for full circuit protection
- Aluminium reservoirs on all models



SPECIFICATIONS

Model	Reservoir Cap (c.c)	Reservoir Useable (c.c)	Motor	Oil delivery (cc) 0 bar	Oil delivery (cc) 7 bar	Oil delivery (cc) 350 bar	Oil delivery (cc) 700 bar
PE026 series	3000	2400	0.45kw 220v 50/50hz	4000	2800	330	280
PE026-8 series	8000	7200	0.45kw 220v 50/50hz	4000	2800	330	280

Model	Valve function	Valve Control	A (mm)	B (mm)	C (mm)	D (mm)	E (mm)	F (mm)	G (mm)	H (mm)	Weight (kg)
PE026	2 Way 2 Position	Manual	511.5	148.5	295.5	251	406	206.5	149.4	485	25.8
PE026-8	2 Way 2 Position	Manual	504	141.5	311.6	251	391.5	311.6	149.4	485	31.7
PES026	2 Way 2 Position	Solenoid	511.5	148.5	295.5	251	406	206.5	149.4	485	29.8
PES026-8	2 Way 2 Position	Solenoid	504	141.5	311.6	251	391.5	311.6	149.4	485	35.7
PED026*	4 Way 3 Position	Manual	511.5	148.5	295.5	251	406	206.5	149.4	485	25.8
PED026-8*	4 Way 3 Position	Manual	504	141.5	311.6	251	391.5	311.6	149.4	485	31.7
PEDS026*	4 Way 3 Position	Solenoid	511.5	148.5	295.5	251	406	206.5	149.4	485	29.8
PEDS026-8*	4 Way 3 Position	Solenoid	504	141.5	311.6	251	391.5	311.6	149.4	485	35.7

* Suitable for both Single and Double Acting Cylinders.



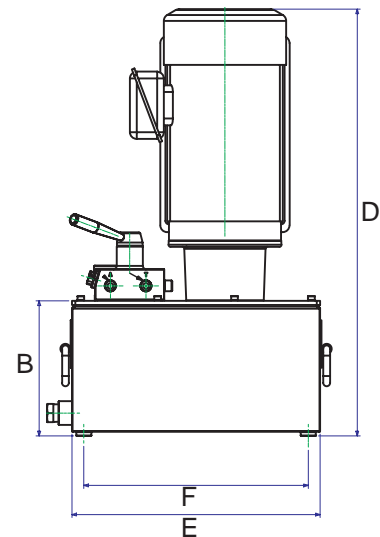
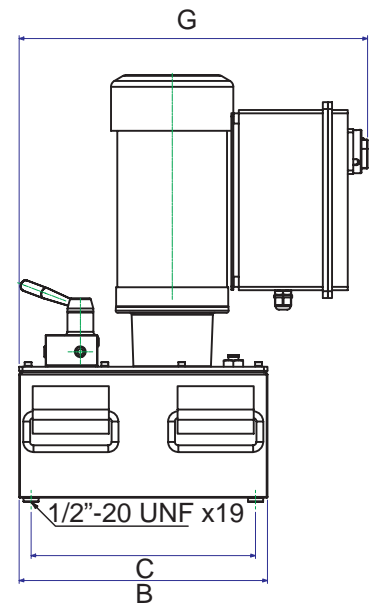
MODEL: PE180-SERIES

- Single and Double acting models
- Two speed pump design
- Maximum working pressure : 10,000 psi / 700 Bar

FEATURES

- 3 HP (2.2kw) brushless motor
- 3m pendant supplied with all models
- Thermal protected induction motor
- Conforms to CE standard
- Internal relief valves all set at 700 bar (10,000 psi) for full circuit protection
- Quiet operation only 80dBA

SPECIFICATIONS



Model	Reservoir Cap (c.c)	Reservoir Useable (c.c)	Motor	Oil delivery (cc) 0 bar	Oil delivery (cc) 7 bar	Oil delivery (cc) 350 bar	Oil delivery (cc) 700 bar
PE180 series	20,000	18,000	2.4kw 380v 50Hz 3 phase	9500	2450	1950	1800

Model	Valve function	Valve Control	A (mm)	B (mm)	C (mm)	D (mm)	E (mm)	F (mm)	G (mm)	Weight (kg)
PE180	2 Way 2 Position	Manual	198.5	365	330	627.5	224.4	180	512	65
PES180	2 Way 2 Position	Solenoid	198.5	365	330	627.6	224.4	180	512	69
PED180*	4 Way 3 Position	Manual	198.5	365	330	627.5	224.4	180	512	65
PEDS180*	4 Way 3 Position	Solenoid	198.5	365	330	627.5	224.4	180	512	69

* Suitable for both Single and Double Acting Cylinders.