
MODEL: HPM-SERIES

- Self contained puller and pump with built in safety valve
- Capacity: 4-30 ton

FEATURES

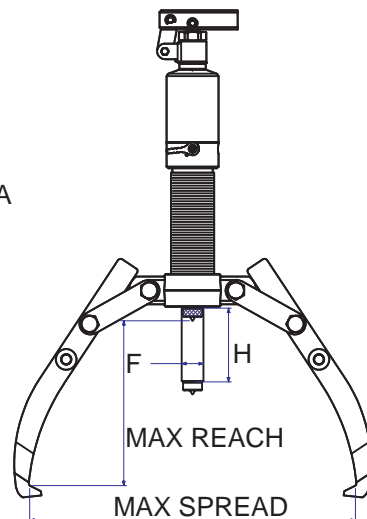
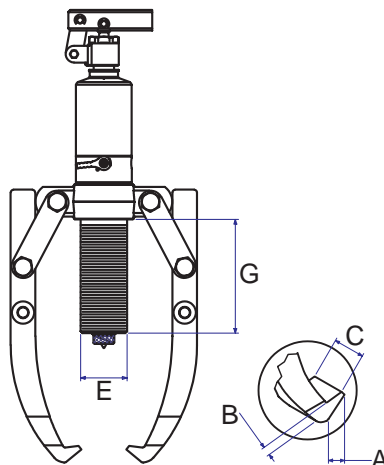
- Heat treated, chrome plated and alloy steel studs
- 2 or 3 jaw options
- 360° handle rotation
- Easy access release valve
- Removable spring loaded self centering nut

OPTIONAL LONGER JAWS

Model (Puller)	Model (Jaw)	Cap Ton	Reach Max (mm)
HPM4	1B12062	4	222
HPM6	1B12063	6	260
HPM8	1B12064	8	308
HPM12	1B12065	12	340
HPM20	1B12066	20	428
HPM30	1B12067	30	428


SPECIFICATIONS

Model	Cap Ton	Reach Max (mm)	Spread Max (mm)	Jaw Tip (mm)			Pump Tip (mm)			Stroke (mm) H	Weight (kg)
				A	B	C	E	F	G		
HPM4	4	185	255	11	6	22	42	22	84	60	4.5
HPM6	6	220	330	11	10	22	45	23	94	70	5.5
HPM8	8	230	350	11	10	25	50	25	122	85	6.5
HPM12	12	270	375	14	10	29	60	28	118	85	8
HPM20	20	360	520	20	27	33	50	40	161	111	22
HPM30	30	360	550	20	27	38	42	50	155	111	32

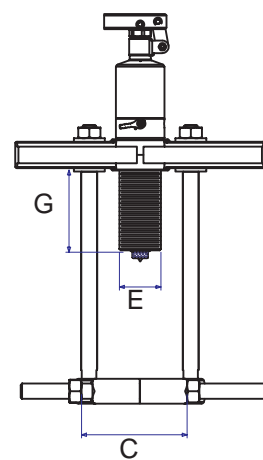
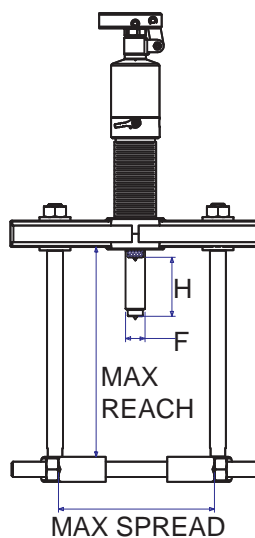


MODEL: HPM-K -SERIES

- Self contained puller and pump with built in safety valve
- Capacity: 4-12 ton

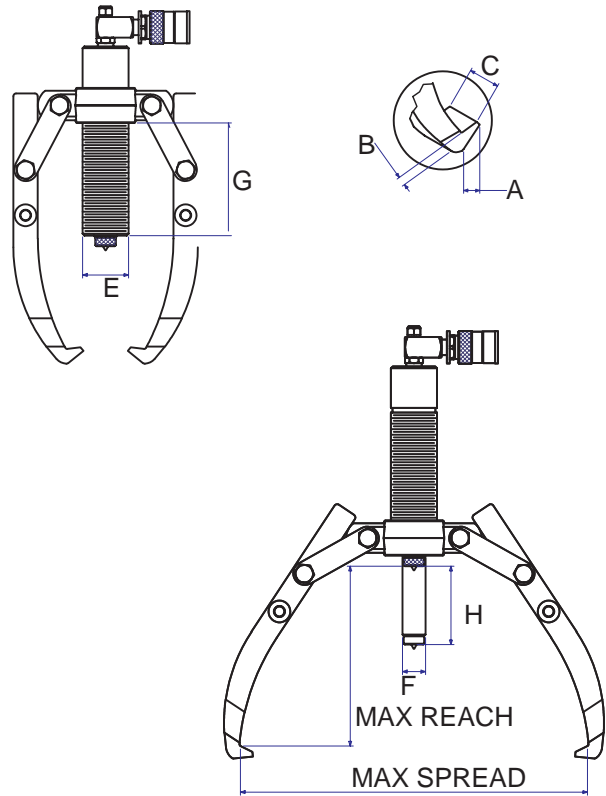
FEATURES

- Heat treated, chrome plated and alloy steel studs
- 2 or 3 jaw options
- 360° handle rotation
- Easy access release valve
- Removable spring loaded self centering nut
- Set includes bearing attachment and straight leg attachments



SPECIFICATIONS

Model	Cap Ton	Reach Max (mm)	Spread Max (mm)	Jaw Tip (mm)			Pump Tip (mm)			Stroke (mm)	Weight (kg)
				A	B	C	E	F	G		
HPM4K	4	185/250	255/250	11	6	22	42	22	84	60	4.5/8.5
HPM6K	6	22/250	350/250	13	10	22	45	23	94	70	5.5/11.5
HPM8K	8	230/250	350/250	11	10	25	50	25	122	85	6.5/12.6
HPM12K	12	270/250	375/250	14	10	29	60	28	118	85	8.0/18.0


MODEL: HPRP-SERIES

- Hydraulic puller with separate hand pump
- Capacity : 4-30 ton

FEATURES

- Separate hand pump with built in safety valve
- Heat treated, chrome plated and alloy steel studs
- 2 or 3 jaw options
- 360° coupling swivel
- Easy release valve
- Removable spring loaded self centering nut

OPTIONAL LONGER JAWS

Model (Puller)	Model (Jaw)	Cap Ton	Reach Max (mm)
HPRP4	1B12062	4	222
HPRP8	1B12064	8	308
HPRP12	1B12065	12	340
HPRP20	1B12066	20	428
HPRP30	1B12067	30	428

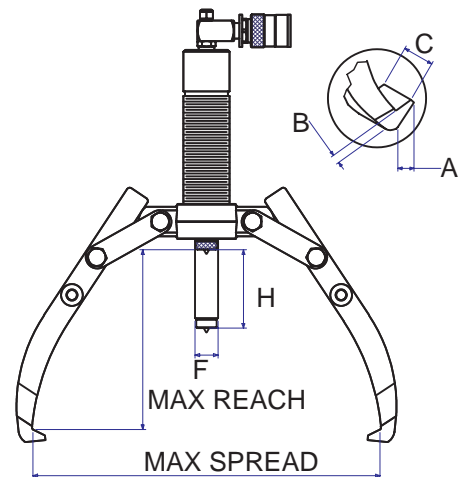
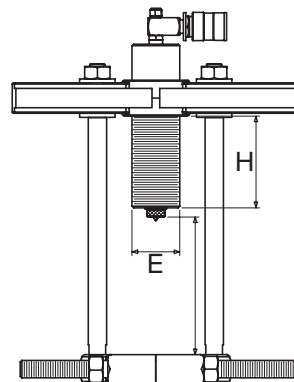
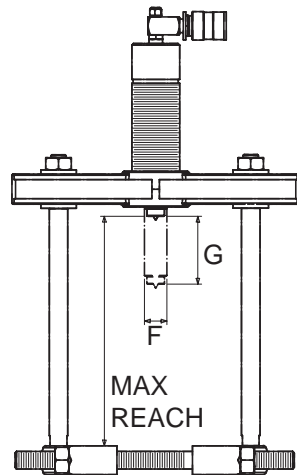

SPECIFICATIONS

Model	Cap Ton	Reach Max (mm)	Spread Max (mm)	Jaw Tip (mm)			Pump Tip (mm)			Stroke (mm) H	Weight (kg)
				A	B	C	E	F	G		
HPRP4	4	185	255	11	6	22	42	22	84	60	9.5
HPRP8	8	230	350	11	10	25	50	25	122	85	11.5
HPRP12	12	270	375	14	10	29	60	28	118	85	14
HPRP20	20	360	520	20	27	33	50	40	161	111	20
HPRP30	30	360	550	20	27	38	42	50	155	111	30



MODEL: HPRP-K -SERIES

- Hydraulic puller with separate hand pump
- Capacity : 4, 8 & 12 ton models
- Comes with 2 and 3 jaw attachments
- Includes cross bearing attachment



FEATURES

- Heat treated, chrome plated and alloy steel studs
- 2 or 3 jaw options
- 360° handle rotation
- Easy access release valve
- Removable spring loaded self centering nut

OPTIONAL LONGER JAWS

Model (Puller)	Model (Jaw)	Cap Ton	Reach Max (mm)
HPRP4	1B12062	4	222
HPRP8	1B12064	8	308
HPRP12	1B12065	12	340



SPECIFICATIONS

Model	Cap Ton	Reach Max (mm)	Spread Max (mm)	Jaw Tip (mm)			Pump Tip (mm)			Stroke (mm) H	Weight (kg)
				A	B	C	E	F	G		
HPRP4K	4	185/211	255/250	11	6	22	42	22	84	60	4.5/8.5
HPRP8K	8	230/243	350/250	11	10	25	50	25	122	85	6.5/12.6
HPRP12K	12	270/288	375/250	14	10	29	60	28	118	85	8.0/18.0