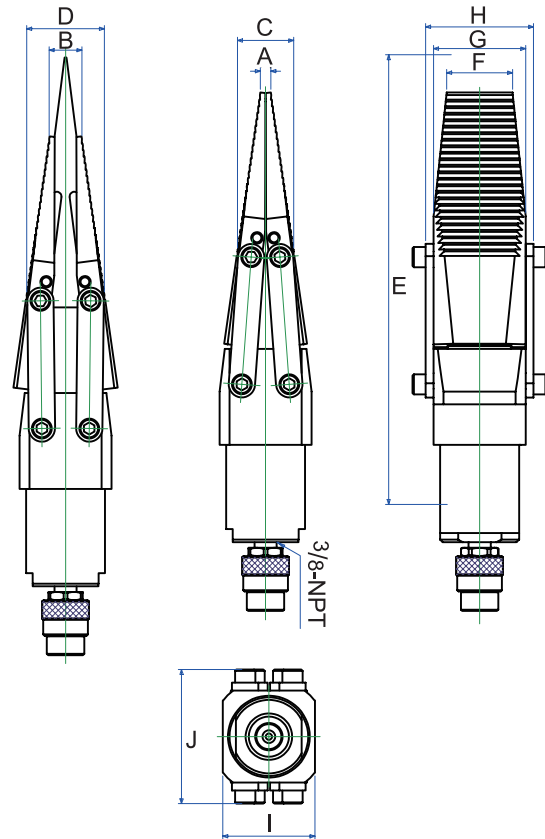



MODEL: SH-SERIES

- Capacity : 15 - 25 Ton
- Maximum working pressure : 10,000 psi / 700 Bar

FEATURES

- Compact design will optimise use in low clearance applications
- Lightweight for increased portability
- Manufactured from high quality hardened steel

SPECIFICATIONS


Model	Cap. Ton	Spread (mm) A / B	Stroke (mm)	C (mm)	D (mm)	E (mm)	F (mm)	G (mm)	H (mm)	I (mm)	J (mm)	Weight (kg)
SH15	15	6 / 16	25	36	46	232	31	45	55	63	63	3.3
SH15-S	15	6 / 16	25	36	46	232	31	45	55	63	63	3.3
SH25	25	8 / 25	65	43	59	342	50	70	82	70	102	7.8