

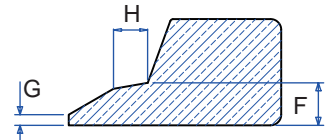
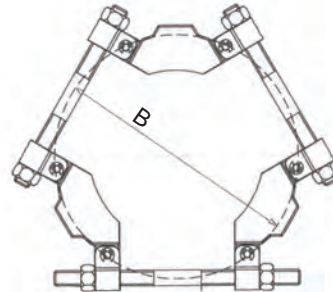
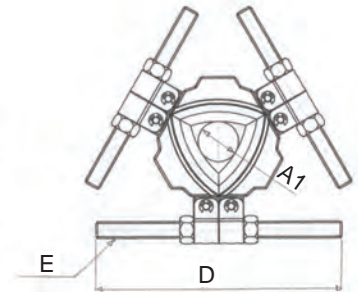
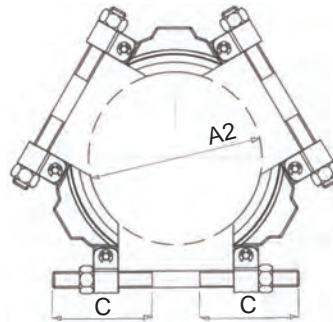


MODEL: HPA-SERIES

- Capacity : 6 - 30 Ton
- Max Spread: 216mm - 660mm

FEATURES

- Patented swing arm design for maximum spread
- Can be used with all 3-Jaw Pullers
- Provides force on both inner and outer ring for safe and efficient pulling
- Simple and Easy setup



SPECIFICATIONS

Model	Cap Ton	Available Shaft Ø A1 / A2	Max Spread (mm)	C (mm)	D (mm)	E (mm)	F (mm)	G (mm)	H (mm)	Weight (kg)
HPA3-160	6	26 / 160	216	105	240	5/8"-11 UNC	8	2	6.5	3.5
HPA3-210	8	50 / 210	280	117	285	7/8"-14 UNF	10	2	9	5.5
HPA3-340	20	90 / 340	460	175	430	1 1/4"-12 UNF	14	2	8	18
HPA3-495	30	140 / 495	660	235	610	1 3/4"-12 UNF	20	2	12	45

